

**60022036**  
**Asquith Kitchen**  
**Assembly Guide**

**IMPORTANT: RETAIN FOR FUTURE REFERENCE**

## WARNINGS:

### About this product:

- Helps develop fine motor skills and hand-to-eye coordination
- Inspires imaginative play and improving their gross motor skills
- Supports the development of their communication and social skills

### Care Instructions:

- Clean with a damp cloth.
- Do not wash.
- Store in a dry place
- Keep out of direct sunlight.

### Instructions for Use:

- Periodically check all fittings to ensure that none have come loose.
- Any loose fittings must be tightened using the correct tool.
- Take care when handling or moving the item.
- Careless handling can damage wooden parts.
- Adult assembly required!
- Final assembly shall be checked by an adult before use!
- Before use, please ensure the item is on a stable and level surface.
- Do not use the item if any part is broken or missing.

### Warnings:

- Unassembled parts and components of this product may break off into small parts presenting a choking hazard.
- Completely remove all packaging and attachments before giving this toy to children.
- Specification, colours and contents may vary from illustration.
- Direct adult supervision is recommended.

Warning: remove and retain packaging safely before giving this toy to children.

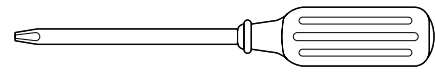
## Getting started...

1. Unpack the components and check against the list below.
2. Place the components on a clean surface to prevent them from being damaged.
3. After you have assembled your toy, dispose of all packaging.

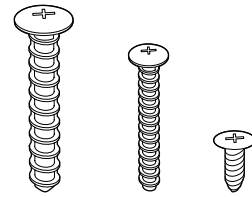
# You will need...

Cross head / Philips screwdriver suitable for use with the screws provided.

Use the tip-over restraint provided with the product, and the right hardware for your wall type.



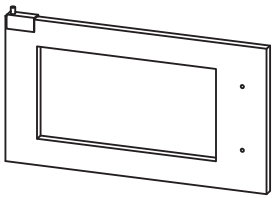





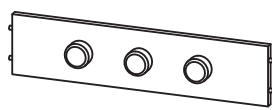
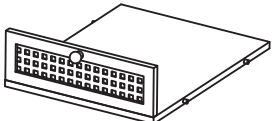
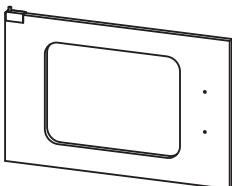
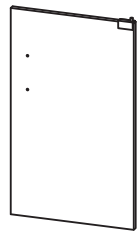


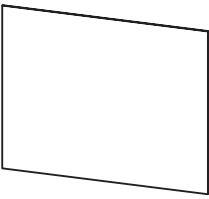

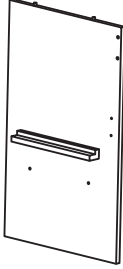
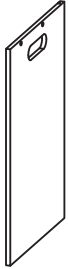


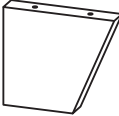

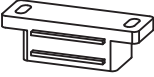
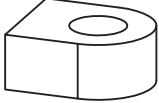



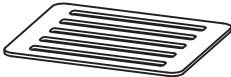
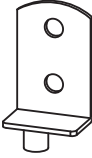
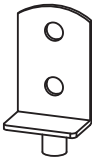

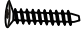



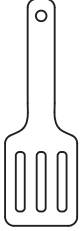


Smaller screwdriver for all other screws

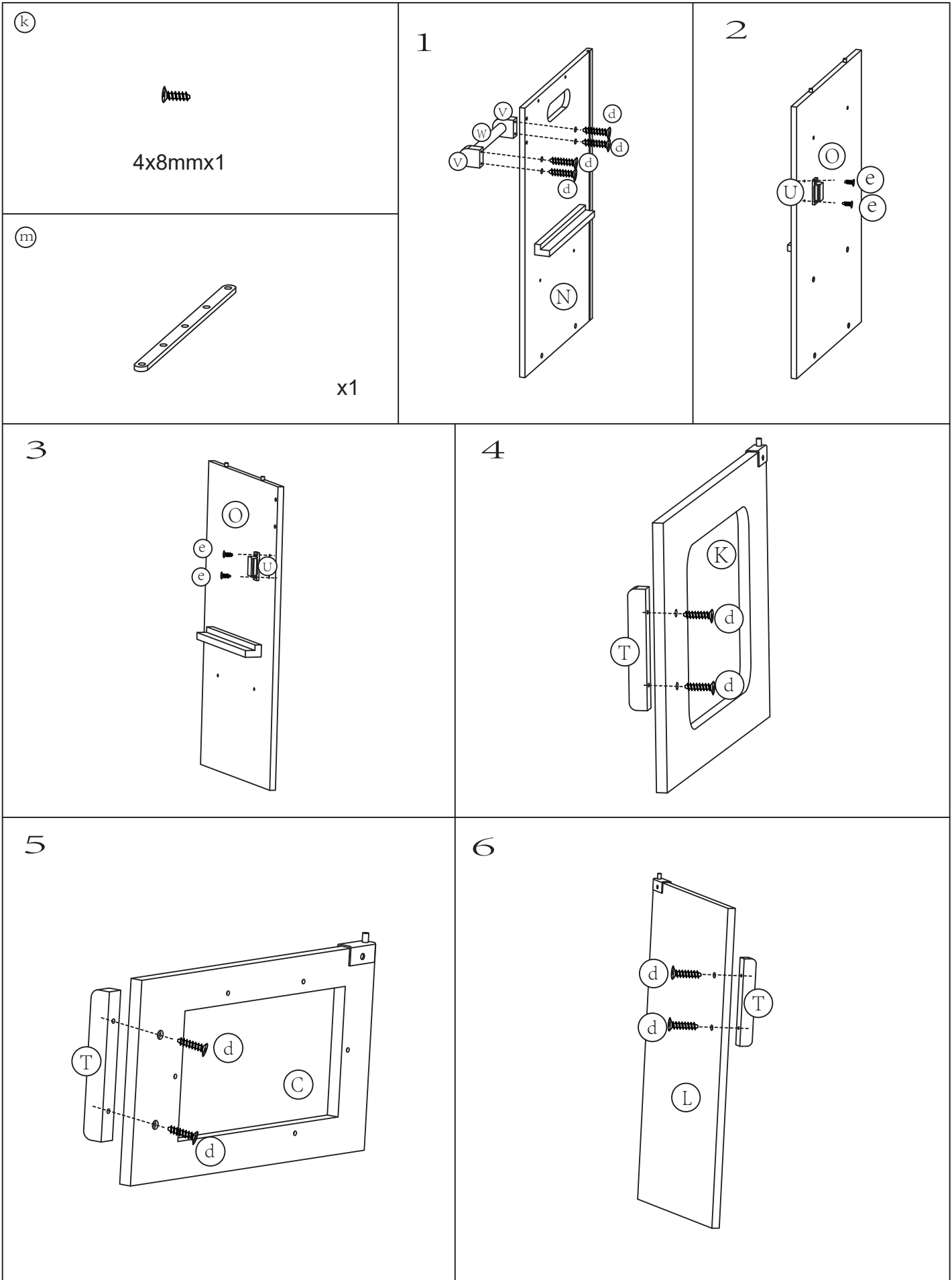


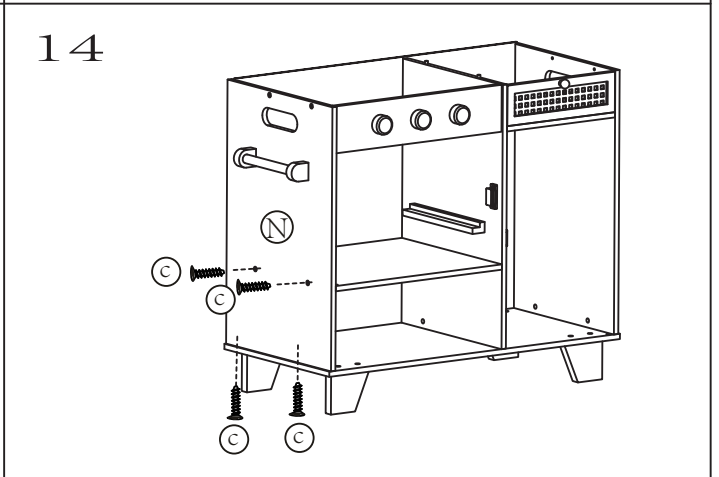
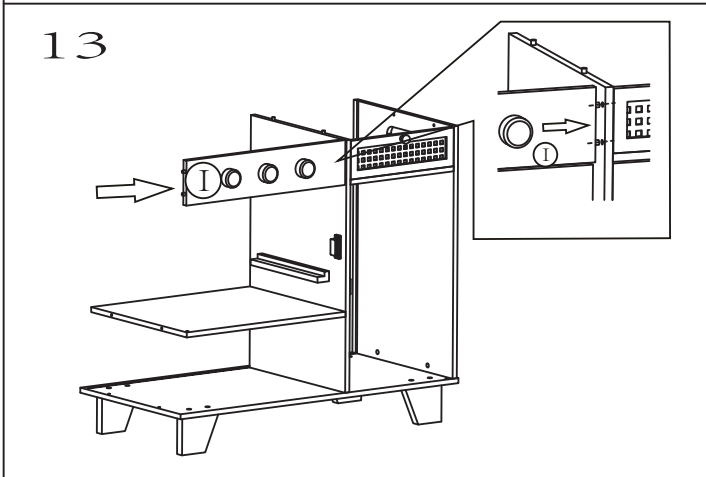
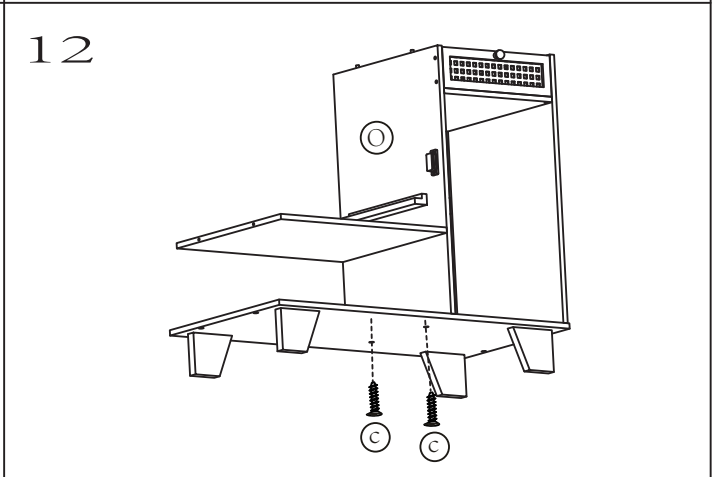
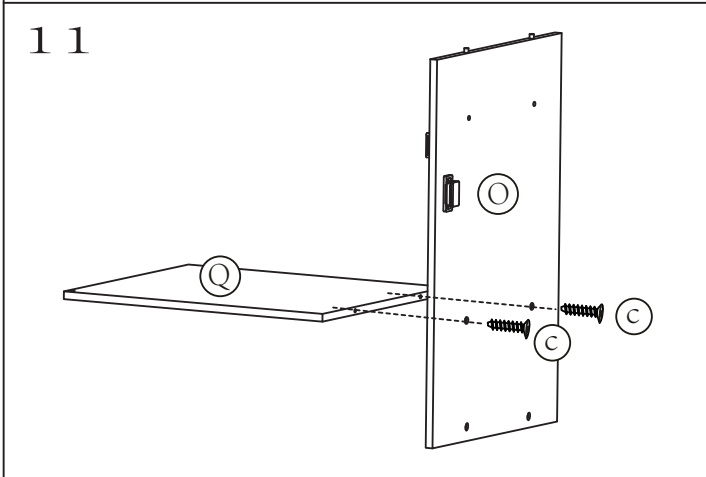
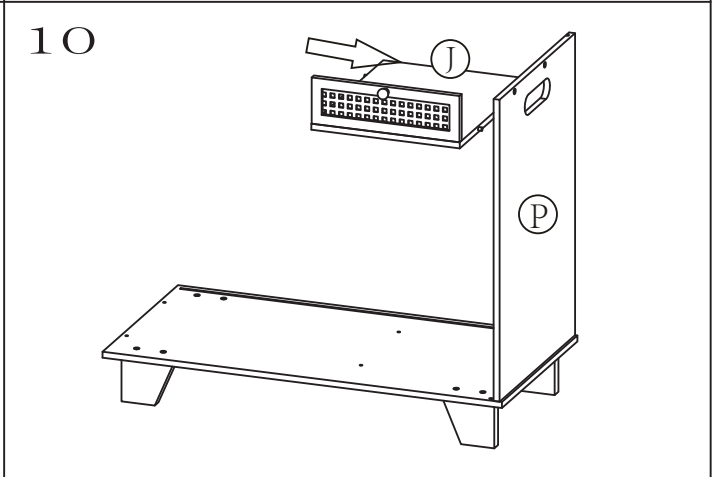
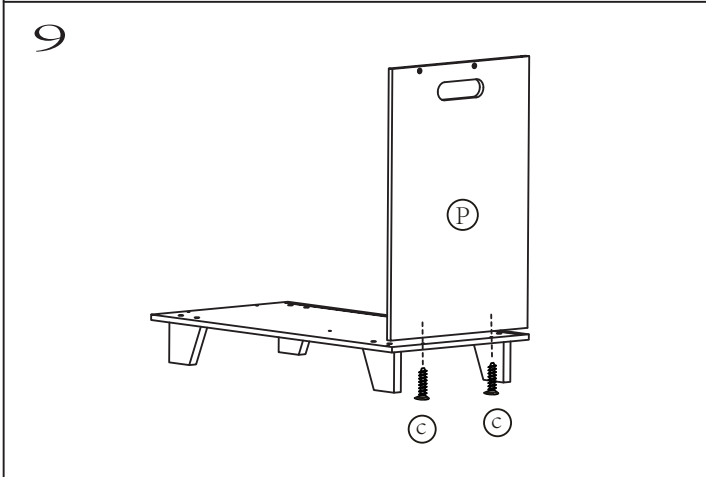
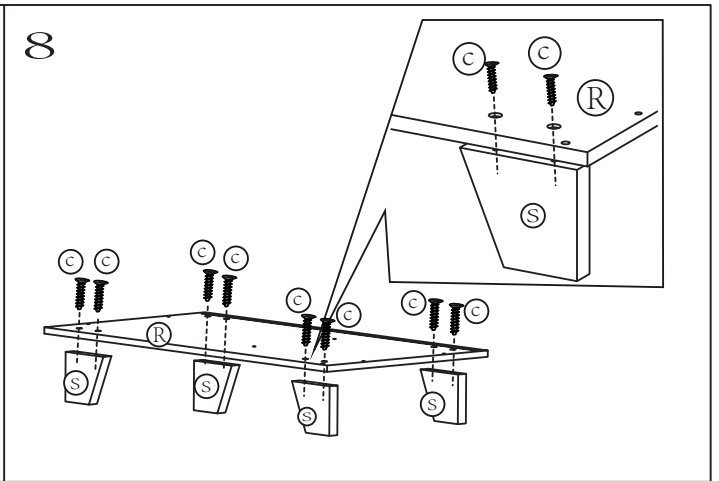
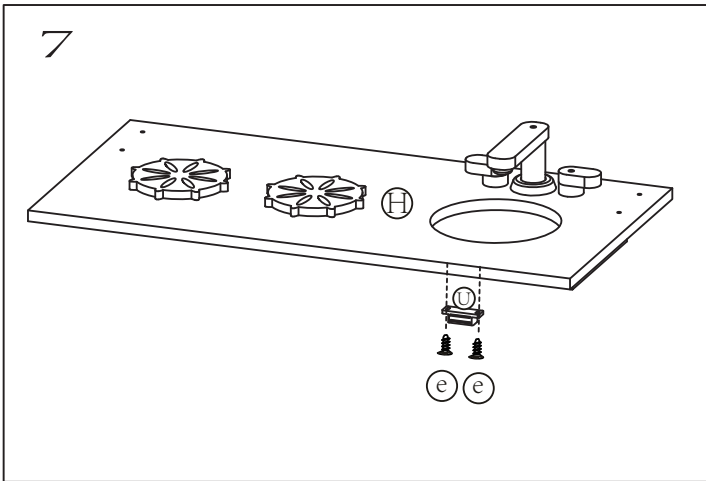
# You should have...

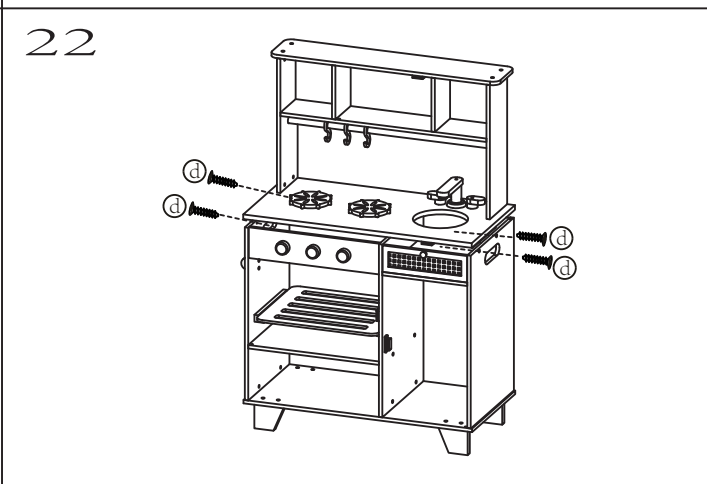
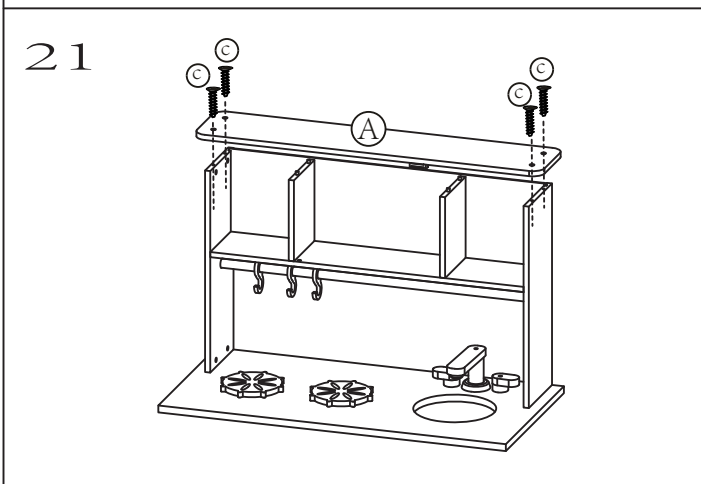
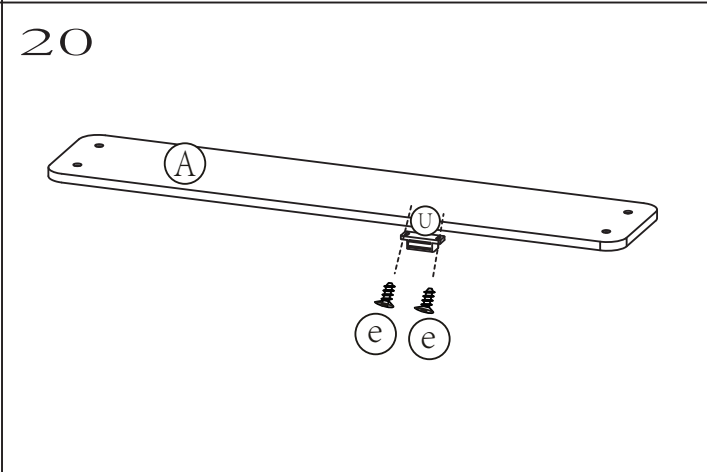
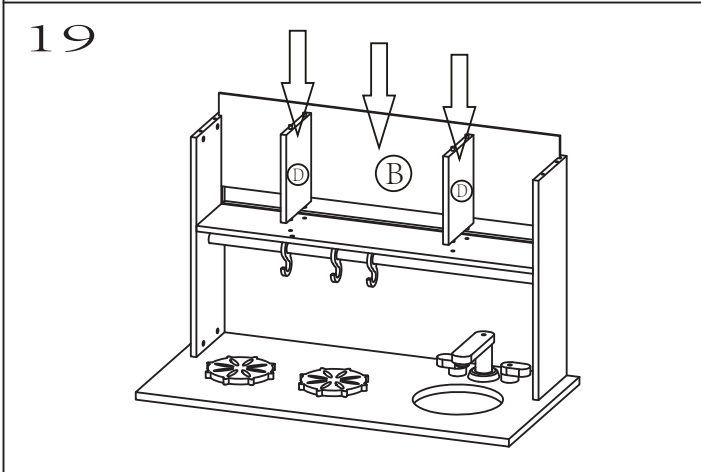
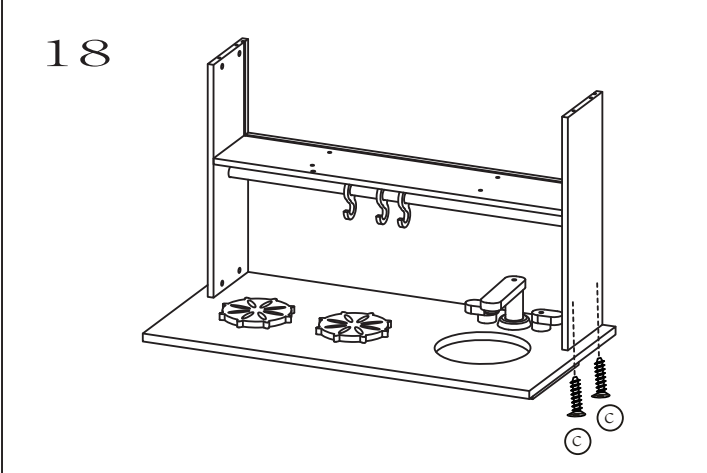
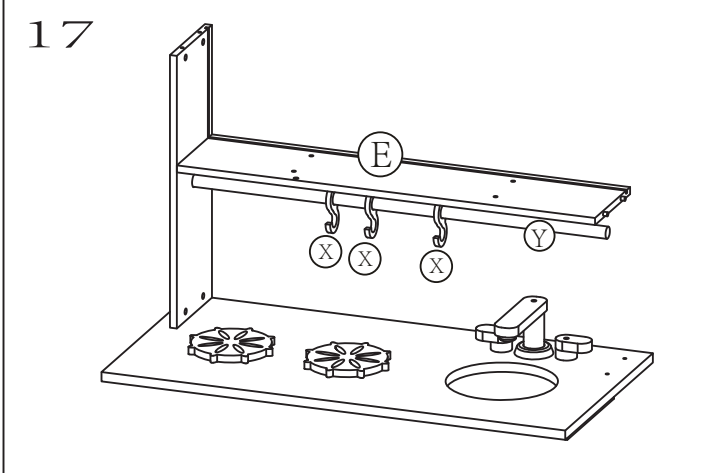
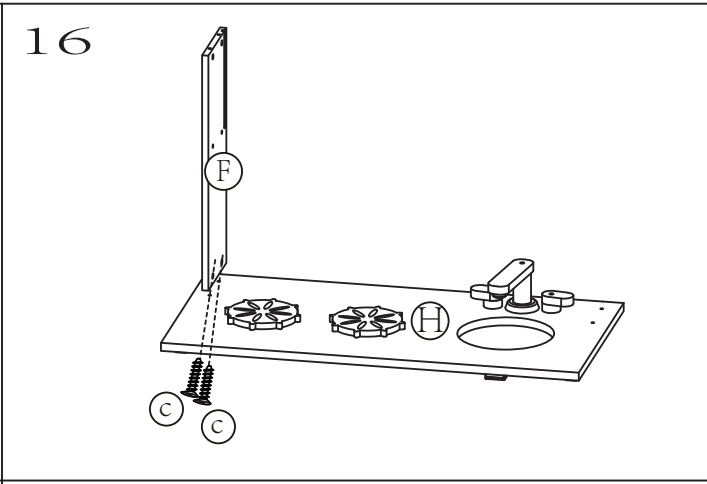
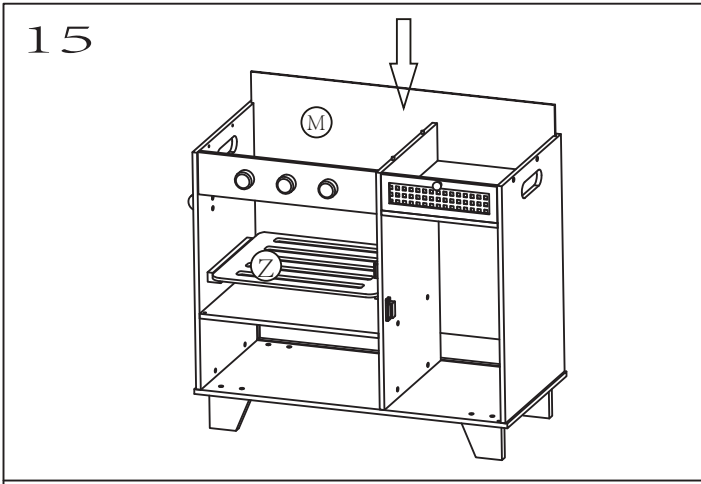
## Components

<p>(A)</p>  <p>x1</p>	<p>(B)</p>  <p>x1</p>	<p>(C)</p>  <p>x1</p>	<p>(D)</p>  <p>x2</p>
<p>(E)</p>  <p>x1</p>	<p>(F)</p>  <p>x1</p>	<p>(G)</p>  <p>x1</p>	<p>(H)</p>  <p>x1</p>
<p>(I)</p>  <p>x1</p>	<p>(J)</p>  <p>x1</p>	<p>(K)</p>  <p>x1</p>	<p>(L)</p>  <p>x1</p>

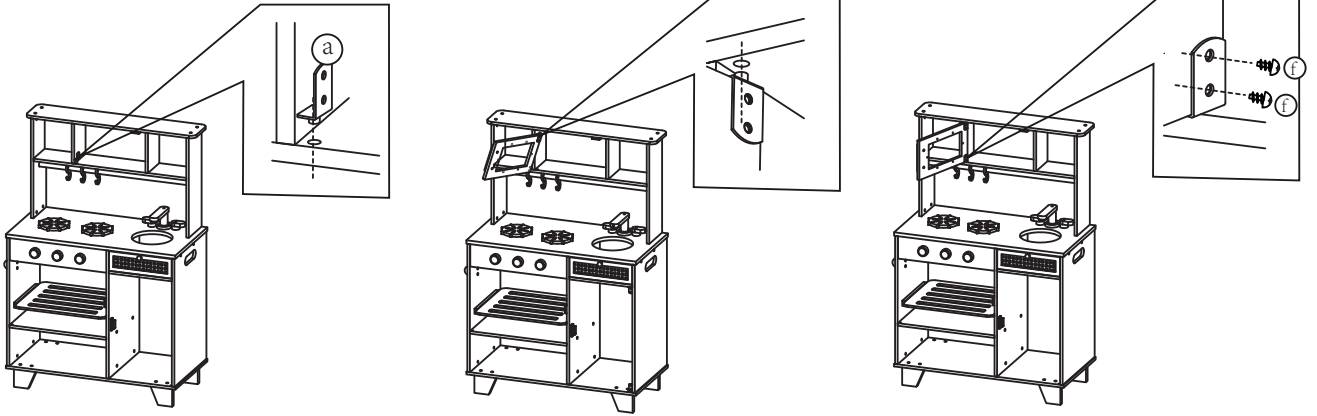
<p>(M)</p>  <p>x1</p>	<p>(N)</p>  <p>x1</p>	<p>(O)</p>  <p>x1</p>	<p>(P)</p>  <p>x1</p>
<p>(Q)</p>  <p>x1</p>	<p>(R)</p>  <p>x1</p>	<p>(S)</p>  <p>x4</p>	<p>(T)</p>  <p>x3</p>
<p>(U)</p>  <p>x4</p>	<p>(V)</p>  <p>x2</p>	<p>(W)</p>  <p>x1</p>	<p>(X)</p>  <p>x3</p>
<p>(Y)</p>  <p>x1</p>	<p>(Z)</p>  <p>x1</p>	<p>(a)</p>  <p>x2</p>	<p>(b)</p>  <p>x1</p>
<p>(c)</p>  <p>4x30mmx26</p>	<p>(d)</p>  <p>4x20mmx14</p>	<p>(e)</p>  <p>3x8mmx8</p>	<p>(f)</p>  <p>4x10mmx6</p>
<p>(g)</p>  <p>x1</p>	<p>(h)</p>  <p>x1</p>	<p>(i)</p>  <p>x1</p>	<p>(j)</p>  <p>x1</p>



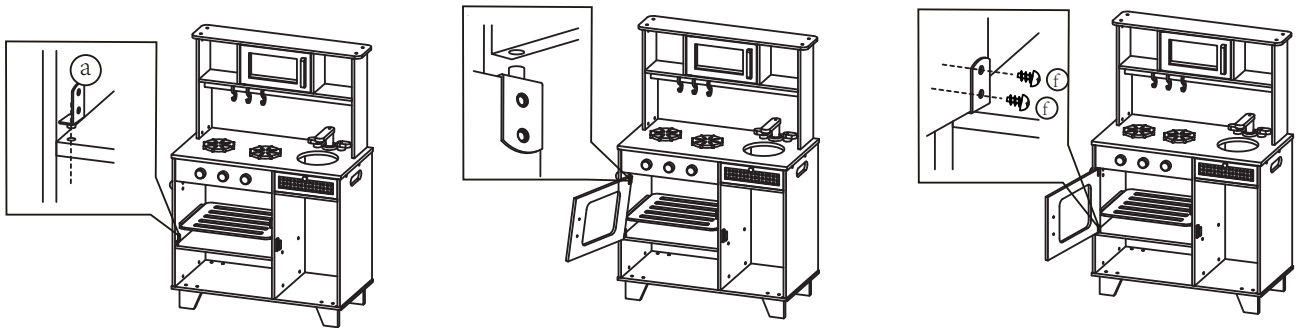




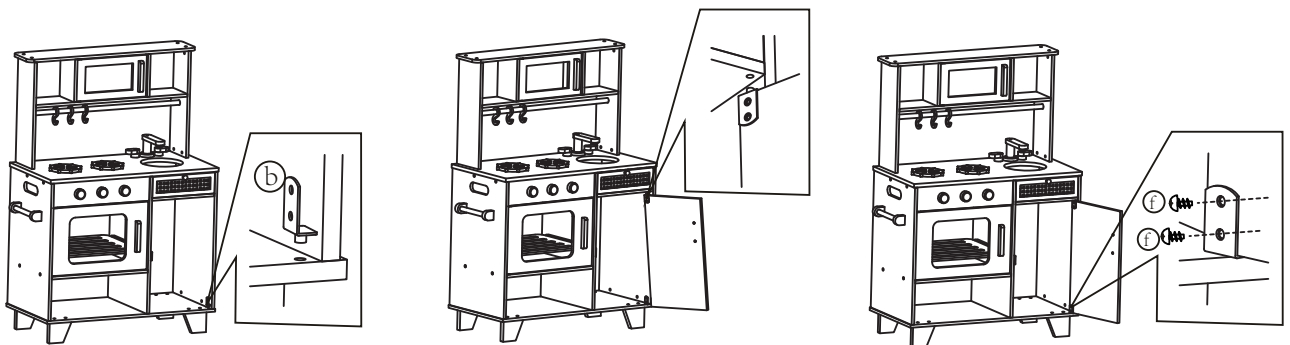
23



24

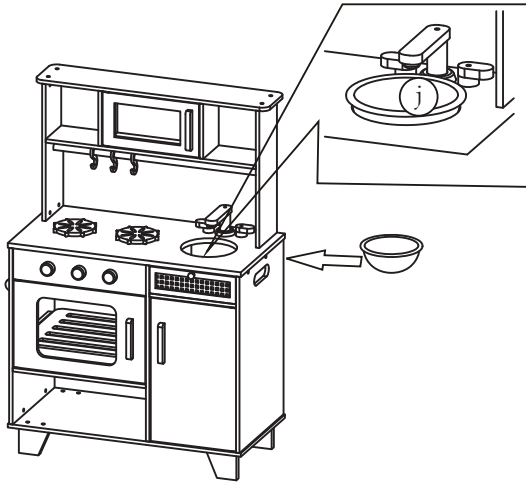


25

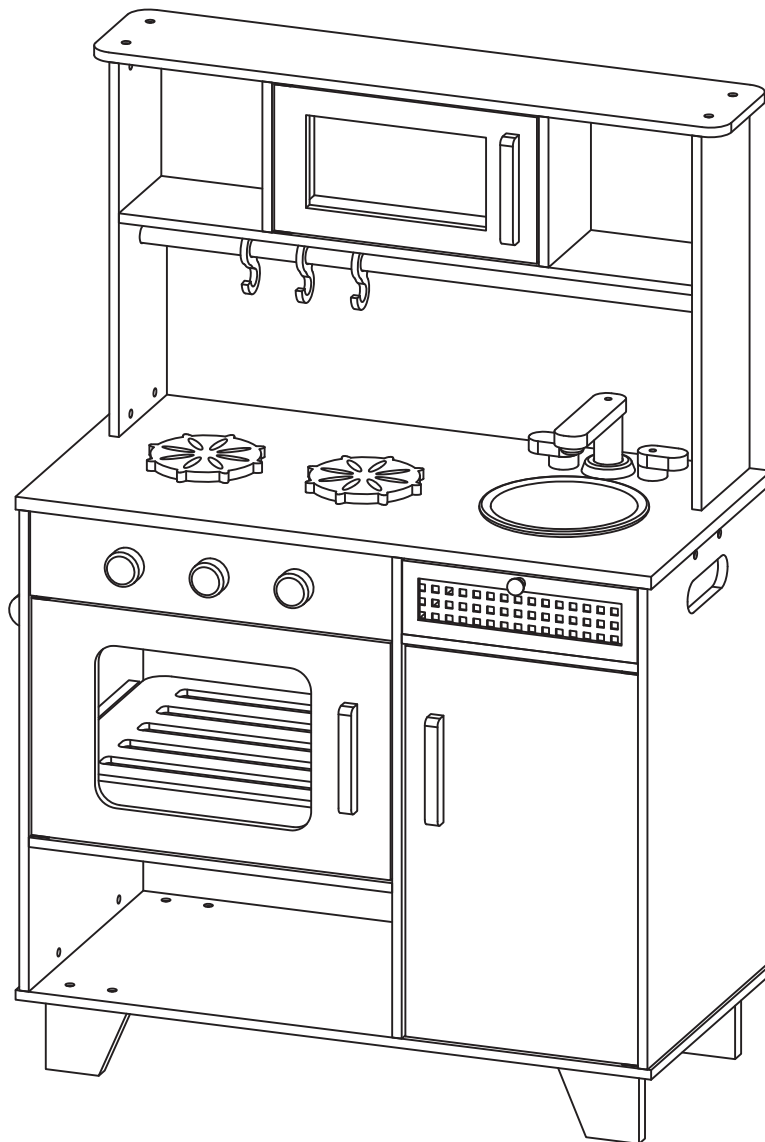
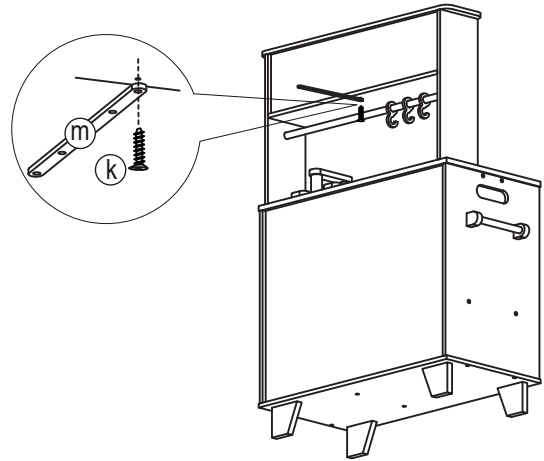




26



27



# There are many more wooden role-play toys to purchase and enjoy

**100 DAY**  
**SATISFACTION**  
**GUARANTEE**

If for any reason you're not completely satisfied with our product, return it within 100 days with your proof of purchase, and we'll give you an exchange or a refund. UK Mainland stores only. Excludes franchises.

The guarantee excludes flat pack furniture, which cannot be returned if it has been partly or fully assembled unless faulty or mis-described. Also excludes mattresses, which can't be returned for hygiene reasons once used, unless faulty or mis-described

**Need something else?**

**www.GEORGE.com**

We have a wide range of accessories and other products that can be ordered direct to your door.

## Customer services information

If you require further information, spare parts or advice regarding your product, or if you are experiencing any problems, please contact customer services at the telephone number or address shown opposite. N.B. When calling or writing please quote the product name.

**Call 0800 952 0101**

## Write

Asda Stores Ltd. Asda House, Southbank, Great Wilson Street, Leeds, LS11 5AD

Product name: 60022036 Asquith Kitchen

Product spec code: 506308930822.2024

## Copyright

© 2017 ASDA Stores Limited.

All other trademarks appearing herein are the property of their representative owners. Specifications are subject to change without notice.

Manufactured for:  
ASDA Stores Ltd. Asda House, Southbank,  
Great Wilson Street, Leeds, LS11 5AD.

