



To qualify for the 2 year warranty the appliance must have been used according to the manufacturer's instructions. For example kettles should have been regularly de-scaled. If your appliance stops working or develops a fault then return it to your nearest store and we will happily replace or refund the item, with exception of the below exclusions:

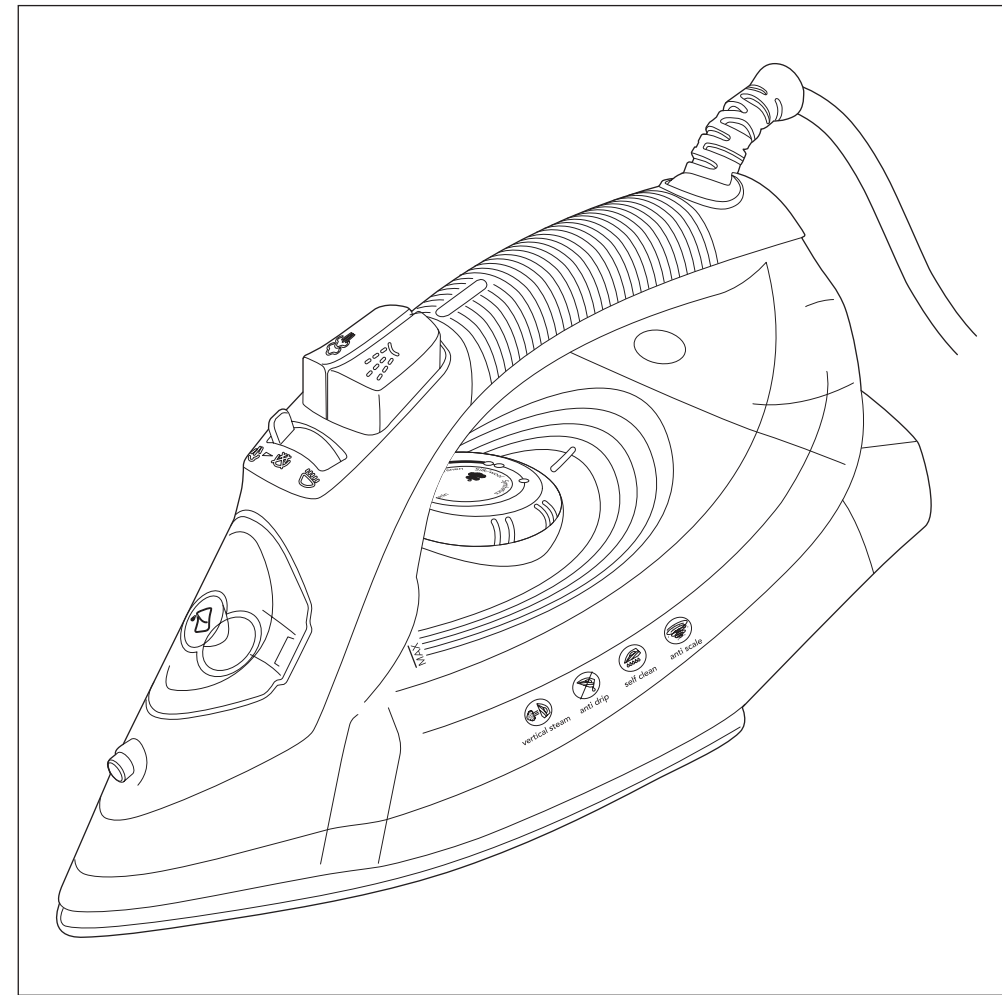
**EXCLUSIONS**

- ASDA shall not be liable to replace goods under the terms of the warranty where:
1. The fault has been caused or is attributable to accidental use, misuse, negligent use or use contrary to the user manual's recommendations or where the fault has been caused by power surges or damage caused in transit.
  2. The appliance has been used on a voltage supply other than that described on the product rating label.
  3. Repairs have been attempted by persons other than our service staff (or authorised dealer).
  4. Where the appliance has been used for hire purposes or non-domestic use.
  5. ASDA are not liable to carry out any type of servicing work, under the warranty.

This warranty does not confer any rights other than those expressly set out above and does not cover any claims for consequential loss or damage. This warranty is offered as an additional benefit and does not affect your statutory rights as a consumer.

If for any reason this item is replaced during the 2 year warranty period, the warranty on the new item will be calculated from original purchase date. It is vital to retain your original proof of purchase to indicate the date of initial purchase.

George home



**GSI301B-20 Steam iron 2000W**  
User Guide 220-240V~50-60Hz, 1600-2000W

**IMPORTANT: RETAIN FOR FUTURE REFERENCE**

**About this guide**

We're here to help you get the most from your steam iron, so please keep hold of this manual for future use.

**WARNINGS:**

**THIS PRODUCT WAS DESIGNED AND MANUFACTURED TO MEET STRICT QUALITY AND SAFETY STANDARDS. THERE ARE, HOWEVER, SOME OPERATIONAL PRECAUTIONS YOU SHOULD BE AWARE OF.**

**WARNING: HOT SURFACE. THE HOT SOLEPLATE AND THE STEAM THAT COMES OUT OF THE IRON ARE EXTREMELY HOT! TOUCHING THE SOLEPLATE AND THE STEAM RELEASED BY THE IRON CAUSES BURNS AND SCALDS.**

1. Read all warnings and instructions in this manual to ensure you get the best out of your product.
2. If the supply cord is damaged, it must be replaced by the manufacturer, its service agent or similarly qualified persons in order to avoid hazard.
3. Do not use if the appliance, cord or plug is damaged.
4. Before connecting the steam iron to the power, check the voltage shown on the appliance corresponds with the voltage for the mains supply of the country you are in. If it doesn't, contact your local store.
5. To avoid fire, electric shock, or injury, never immerse the steam iron, cord, or plug in water or liquid. Do not use with wet hands.
6. Keep the appliance and its cord out of reach of children less than 8 years of age when it is energised or cooling down.
7. Please don't dismantle. If a fault occurs, have the steam iron inspected in a qualified repair shop or return to us at ASDA.
8. The iron should not be used if the iron has been dropped, if there are any visible signs of damage or if it is leaking.
9. Remove all packaging prior to use. Inspect the product for any damage before use. If damage is found, notify ASDA to exchange the product.

**Copyright**

© 2020 ASDA Stores Limited. All other trademarks appearing herein are the property of their representative owners. Specifications are subject to change without notice.

Manufactured for: ASDA, Leeds LS11 5AD / ASDA, Antrim BT41 4GY.

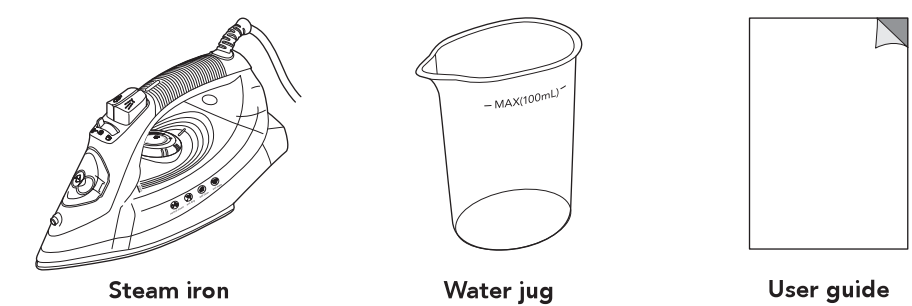
**Disposal**

This symbol on the product or in the instructions means that your electrical and electronic equipment should be disposed at the end of its life separately from your household waste. There are separate collection systems for recycling in the UK.

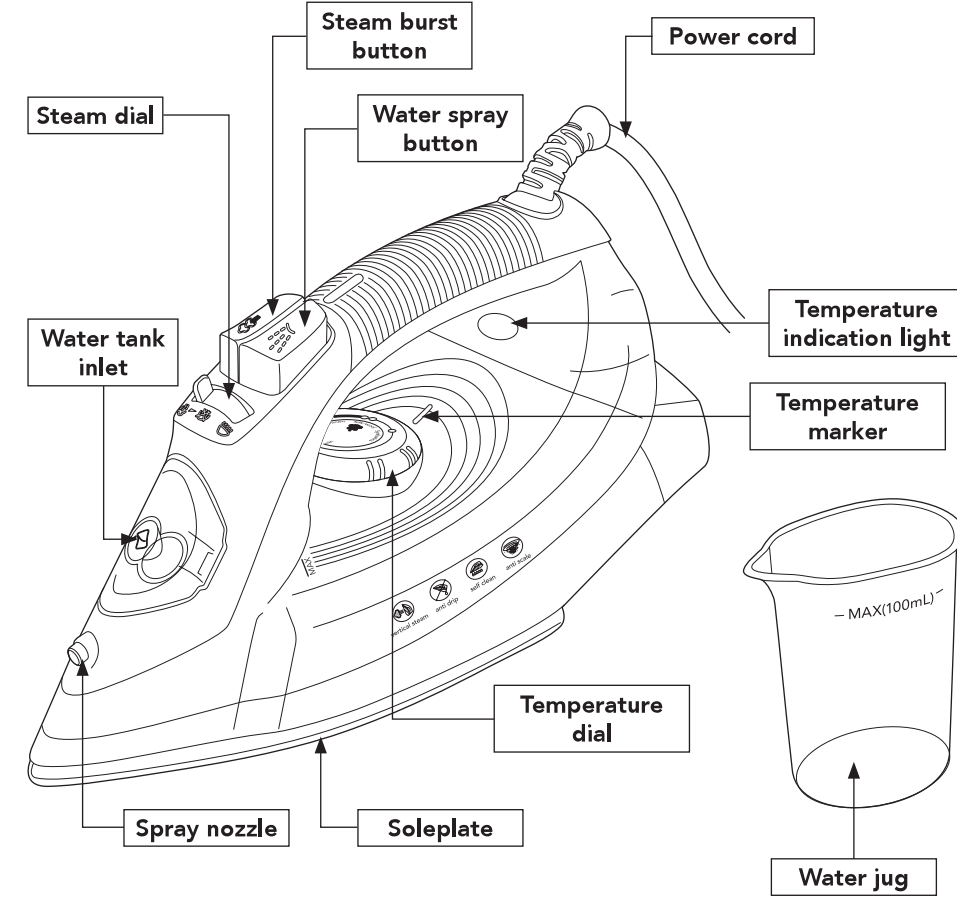
For more information, please contact the local authority or your retailer where you purchased the product.



**What's in the box**



**Features**



**Filling the water tank**

Your appliance has been designed to be used with regular tap water. Do not use distilled or de-ionised water as this will make the anti-calc system ineffective.

**NOTE:** Never fill the water tank when the iron is plugged in to the mains supply.

1. Set the steam dial to no steam.
2. Flip the water tank inlet cover sideways and tilt the iron up. Fill the water tank using the water jug supplied. Do not overfill past the 'MAX' mark on the water tank.
3. Push back over the water tank inlet cover to close.

**Plugging in the steam iron**

1. Remove the plug from the card packaging.
2. Put the plug into an electrical socket and turn the power on.

**NOTE:** The first time the iron is used there may be a slight smoky smell. This is quite normal for new appliances.

**Setting the temperature**

1. The temperature dial is on the top of the water tank. This dial can be rotated clockwise or anticlockwise until the desired temperature symbol is aligned with the marker.
2. When the temperature indication light goes out, the iron is at the correct temperature and is ready to use.

**NOTE:** When ironing, the temperature indication light may come on occasionally. This is normal and it's just the iron maintaining its set temperature. Be aware, if you lower the temperature setting from a higher setting to a lower one, allow the iron time to cool down before using.

Always check the information on the product care label before ironing.

Garment label	Fabric type	Thermostat settings
	Synthetic	• Low temperature
	Silk - wool	•• Medium temperature
	Cotton - linen	••• High temperature
	Fabric not to be ironed	

**Steam ironing**

**NOTE:** We recommend only using the steam function on the highest temperature setting. If the iron is not hot enough the steam will not produce. The iron has a built-in anti-drip system which automatically activates. This stops drops of boiling water spoiling delicate fabrics.

10. For household use only.
11. The steam iron must be used and rested on a stable surface.
12. When placing the iron on its stand, ensure that the surface on which the stand is placed is stable.
13. The iron must not be left unattended whilst connected to the mains.
14. The plug must be removed from the socket outlet before the filling of the water tank, before cleaning and storing.
15. Do not use the iron for anything other than its intended use.
16. Do not use attachments not recommended by the manufacturer.
17. Do not iron clothes whilst wearing them.
18. Do not touch the soleplate when in use as it becomes hot. Always hold the iron by its handle. Do not point the iron near the face or body when the steam is in operation.
19. Do not use the iron on, near or under flammable heat sources.
20. Do not fill the tank with any other liquid other than tap water. Do not use distilled or de-ionised water as this will make the anti-calc system ineffective. Do not overfill the tank.
21. When storing always allow the iron to fully cool down, store upright and keep away from children and pets. It is recommended to empty the water tank fully before storing.
22. This appliance can be used by children aged from 8 years and above and persons with reduced physical, sensory or mental capabilities or lack of experience and knowledge if they have been given supervision or instruction concerning use of the appliance in a safe way and understand the hazards involved. Children shall not play with the appliance. Cleaning and user maintenance shall not be made by children without supervision.
23. ASDA does not recommend allowing children to operate this appliance.
24. Environmental information: If at anytime in the future you should need to dispose of this product, please note that, in the UK, waste electrical products/batteries should not be disposed of with household waste.

**Dry ironing**

1. To iron without steam, slide the steam dial to the dry setting.

**Using the steam burst**

We recommend only using the steam burst when the iron is set to the highest temperature.

1. Whilst ironing, press the steam burst button to generate a powerful burst of steam (this will remove stubborn creases).
2. Remember to wait for the temperature light to go out before you release more steam.
3. The steam burst button can be used vertically to steam curtains and hanging garments.

**Using the water spray button**

We do not recommend using the water spray function on silk or synthetic fabrics. When ironing delicate fabrics we recommend moistening the fabric before using the water spray button or placing a damp cloth between the soleplate and the fabric.

1. Check there is water in the tank and then slowly press the water spray button downwards to form a dense spray or quickly press it to form a fine vapour.

**Cleaning your iron**

Make sure the device is disconnected from the power outlet, and the iron is empty and completely cool.

1. Any marks on the soleplate can be removed using a damp cloth and a mild detergent.
2. Avoid scratching the soleplate and never use metal scourers to clean.
3. The plastic parts of the iron can be cleaned with a damp cloth and then wiped dry.

**Using the self-clean feature**

The self-clean feature cleans inside the iron to remove impurities. It's recommended that the iron is self-cleaned once a month.

1. Half fill the water tank and set the steam dial to the no steam setting.
2. Plug the iron in and set the temperature to maximum and wait for the temperature light to turn off.
3. Remove the plug from the mains socket and hold the iron horizontally over the sink.
4. Slide and hold the steam dial to the left so it is on the 'self clean' icon. Gently shake the iron until all of the water and steam has emptied from the tank. Take care to avoid the steam that is being released.
5. Iron over an old cloth to remove any residue left on the soleplate.

**Storing your iron**

1. Disconnect the iron from the mains power.
2. Allow the iron to cool fully before storing.
3. Empty the water tank by turning the iron upside down over a sink and opening the water tank inlet.
4. Roll up the cord and store next to the iron. Don't wrap the cord around the iron as this will damage the cord.

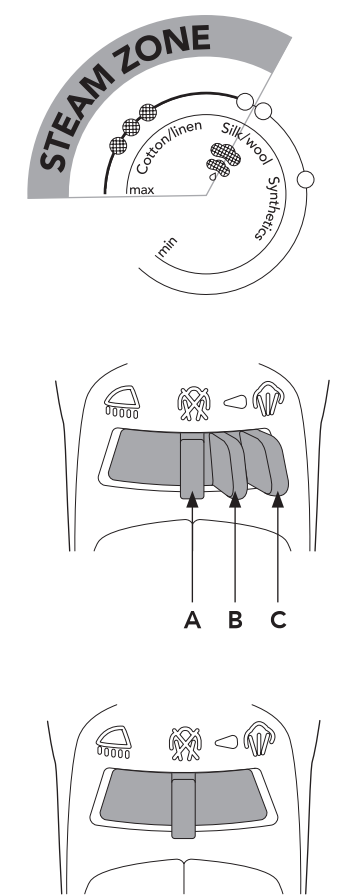
**Changing the fuse**

1. Undo the screw in the middle of the plug using an appropriate screwdriver. Remove the fuse from the plug and replace with a 10 amp fuse.
2. Replace the cover.

**WARNING:** Only ever use a 10 amp fuse.

**Steam ironing**

1. Set the temperature dial to the steam zone.
2. The amount of steam is regulated by the steam dial:
  - A - no steam
  - B - low continuous steam
  - C - high continuous steam
3. Always check the care label on your clothing for the best steam setting, or use the below grid.
4. The iron will give off continuous steam when in the horizontal position only.
5. The steam will stop once the iron is vertical.
6. You can also manually slide the steam dial to the no steam position.



Fabric style	Temperature setting	Steam setting	Steam burst
Linen	Maximum	High continuous steam	Yes
Cotton	•••	High continuous steam	Yes
Wool	••	Low continuous steam	Yes
Silk	••	No steam	No
Synthetics	•	No steam	No



If for any reason you're not completely satisfied with our product, return it within 100 days with your proof of purchase, and we'll give you an exchange or a refund. UK Mainland stores only. Excludes franchises. The guarantee excludes flat pack furniture, which can't be returned if it has been partly or fully assembled unless faulty or mis-described. Also excludes mattresses, which can't be returned for hygiene reasons once used, unless faulty or mis-described.

**Need something else?**

[www.GEORGE.com](http://www.GEORGE.com)

We have a wide range of accessories and other products that can be ordered direct to your door.

**Customer services information**

If you have any problems, or just need some advice or more information on your product, then don't hesitate to contact customer services at the telephone number or address shown opposite. N.B. When calling or writing please have your product site code handy.

**Call**  
0800 952 0101  
**Write**

ASDA, Leeds LS11 5AD

Product name: **GSI301B-20 2000W Steam iron**  
Product site code: **15A.09.22.105**