

**ASDA**tech

Portable  
AM/FM Radio

Model: ATA22AA005A

---

PRODUCT GUIDE

---

# Contents

---

<b>Introduction</b> .....	<b>3</b>
Features	
Includes	
<b>Your Short Wave Radio</b> .....	<b>4</b>
Layout	
Controls	
Radio Antenna	
<b>Powering Your Radio</b> .....	<b>6</b>
Using the Power Adapter (included)	
Using Battery Power	
<b>Using Your Radio</b> .....	<b>7</b>
Turning Your Radio On and Off	
Finding a Radio Station	
Using the Memory Function (Auto)	
Using the Memory Function (Manual)	
Using Headphones	
<b>Information &amp; Safety Instructions</b> .....	<b>8</b>

---

---

# Introduction

---

## Features

- AM/FM radio
- Telescopic antenna
- LCD display
- Auto-search
- Carry handle
- 3.5mm headphone jack
- Built-in speaker
- Digital volume control

## Includes

- Radio
- AC power adapter
- User manual



The symbol indicates DC voltage



Only suitable for use in indoors



AC voltage



To refer to text in an accompanying document.

Where the plug of the Direct Plug-in Adapter is used as the disconnect device, the disconnect device shall remain readily operable.

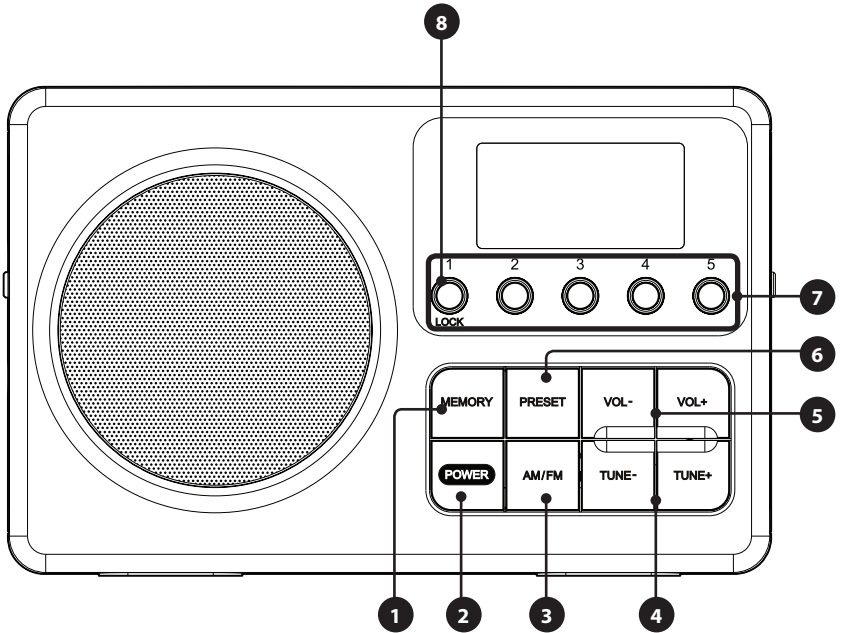
---

---

# Your Short Wave Radio

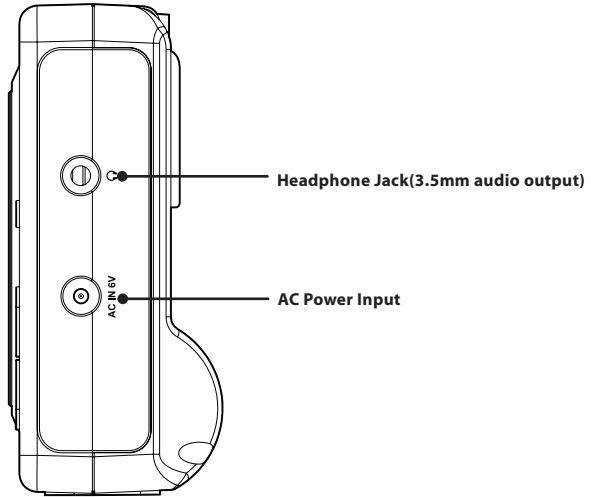
---

## Layout



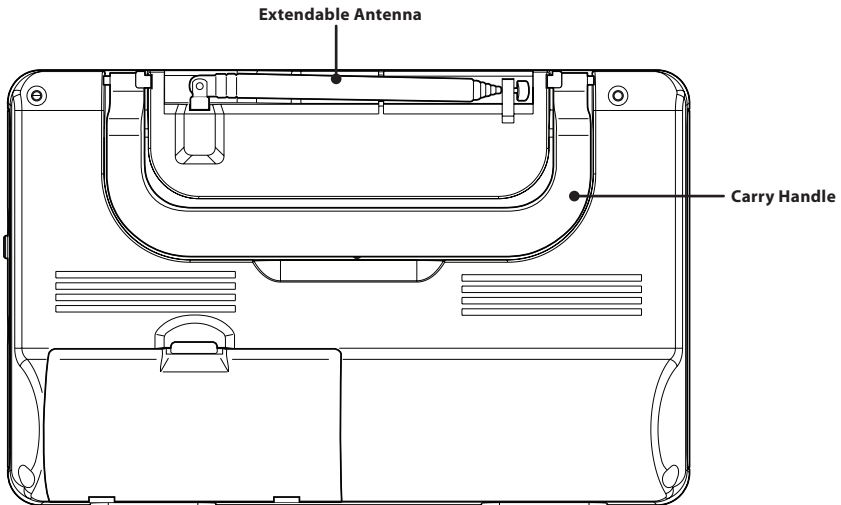
## Controls

1. **Memory:** Press to save radio stations to a preset.
  2. **Power:** Press to power the radio on.
  3. **AM/FM:** Press to switch between AM and FM frequencies.
  4. **Tune:** Press to change station. Press and hold to auto scan to the next available station.
  5. **Volume:** Press to set volume level.
  6. **Preset:** Press to open preset selections.
  7. **Preset Numbers:** Press to select which preset you want to tune to.
  8. **Lock:** Press and hold to lock controls on radio. Press and hold again to unlock controls on radio.
-



## Radio Antenna

To improve reception it is recommended to fully extend the antenna on the back of the radio.



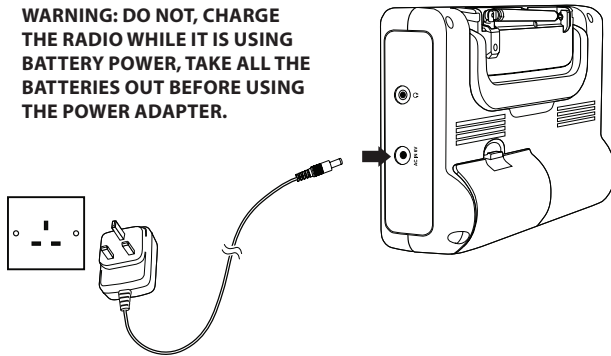
---

## Powering Your Radio

---

### Using the Power Adapter (included)

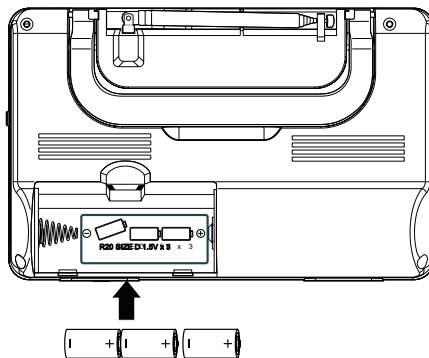
1. Plug the AC6V power adapter (included) into the AC power input on the side of your radio.
2. Plug the other end of the power cord into an outlet.



### Using Battery Power

Requires 3 size D batteries (not included).

1. Pull the battery compartment tab down and lift up to open battery cover.
2. Insert 3 size D batteries (not included) into the battery compartment. Make sure the batteries are correctly aligned, as shown in the figure.



---

# Using Your Radio

---

## Turning Your Radio On and Off

Press the **POWER** button on the front of the radio to Power the radio on. Press the **POWER** button again to power the radio off.

## Finding a Radio Station

Note: To improve reception it is recommended to fully extend the antenna on the back of the radio.

1. With the radio on, select either the FM or AM frequency band by pressing the **AM/FM** button.
2. Press and hold the **TUNE** buttons to start automatically scanning radio station frequencies. Once a radio station has been found the search will stop.
3. To manually tune the radio frequency, press the **TUNE** buttons.

## Using the Memory Function (Auto)

You can save up to 20 FM and 20 AM stations as presets for easy access to your favorite radio stations.

1. Press and hold the **MEMORY** button to scan and store all available stations.
2. Press **PRESET NUMBER** buttons (1-5) for the first five saved stations.
3. Press the **PRESET** button. Then press the **TUNE** buttons to search through saved stations (6-20).

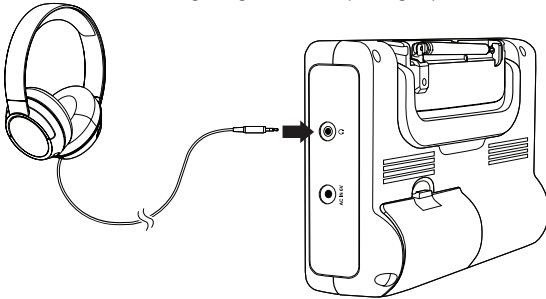
## Using the Memory Function (Manual)

1. Press the **TUNE** buttons to select the frequency you want.
2. Press the **MEMORY** button.
3. Press the **TUNE** buttons to select which preset number you want to save the station to (1-20).
4. Press the **MEMORY** button to save.
5. Press the **PRESET** button. Press the **TUNE** buttons to search through saved stations (1-20) or press PRESET NUMBER buttons to quickly select stations saved from (1-5).

## Using Headphones

Using a 3.5mm audio cable, insert the 3.5mm plug into the headphone jack on the radio (Headphones not included).

**Important:** To avoid hearing damage, set the volume to the lowest level before placing your Headphones on your ears. Be careful when listening at high volume for prolonged periods of time, as it can damage your hearing.



This product bears the selective sorting symbol for Waste electrical and electronic equipment (WEEE). This means that this product must be handled pursuant to European directive 2012/19/EU in order to be recycled or dismantled to minimize its impact on the environment. User has the choice to give his product to a competent recycling organization or to the retailer when he buys a new electrical or electronic equipment.

For more information, please contact the local authority or your retailer where you purchased the product.

Hereby, [Huizhou Yinghai Digital Electronics Co., Ltd.], declares that this [Portable AM/FM Radio ATA22AA005A] is in compliance with the essential requirements and other relevant provisions of 2014/53/EU.

The full text of the EU declaration of conformity is available at the following internet address: [www.asda.com](http://www.asda.com)

ASDA, Leeds LS11 5AD/ASDA, Antrim BT41 4GY

### Customer Service

For any product related questions, please call us at: 0333 600 7700.

---