



**Need something else?**  
www.GEORGE.com

We have a wide range of accessories and other products that can be ordered direct to your door.

For PDF copy of this manual please scan QR code and search for model number



**ASDA**  
technical support  
0333 600 7700

If for any reason you're not completely satisfied with our product, return it within 100 days with your proof of purchase, and we'll give you an exchange or a refund. UK Mainland stores only. Excludes franchises. The guarantee excludes flat pack furniture, which can't be returned if it has been partly or fully assembled unless faulty or mis-described. Also excludes mattresses, which can't be returned for hygiene reasons once used, unless faulty or mis-described.

**Customer services information**

If you have any problems, need more information or spare parts, or even just some advice on your product, then don't hesitate to contact customer services at the telephone number or address shown opposite. N.B. When calling or writing please have your product site code handy.

**Call**

0800 952 0101

**Write**

ASDA Stores Ltd. Asda House, Southbank, Great Wilson Street, Leeds, LS11 5AD.

Product name: GHDD01QB4J  
GH DC DRYER  
Product site code: 15B.09.24.135

**Copyright**

© 2024 ASDA Stores Limited. All other trademarks appearing herein are the property of their representative owners. Specifications are subject to change without notice.

Manufactured for:  
ASDA, Leeds LS11 5AD/ASDA, Antrim BT41 4GY

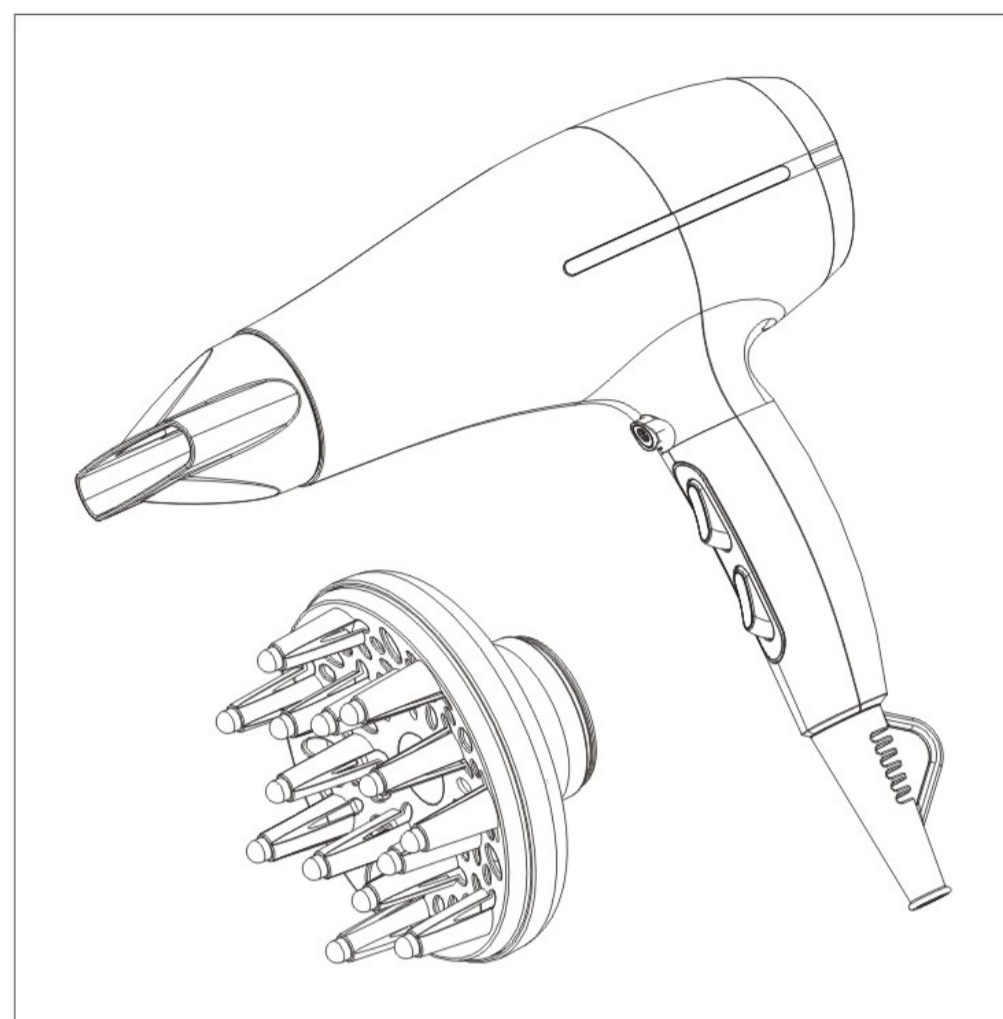
**Disposal**

This symbol on the product or in the instructions means that your electrical and electronic equipment should be disposed at the end of its life separately from your household waste. There are separate collection systems for recycling in the EU.

For more information, please contact the local authority or your retailer where you purchased the product.



**George.**



**GHDD01QB4J  
GH DC DRYER**

User Guide

220-240V~ 50-60Hz 1800-2200W

**IMPORTANT: RETAIN FOR FUTURE REFERENCE**

**About this guide**

We're here to help you get the most from your pro hair dryer, so please keep hold of this manual for future use.

**WARNINGS:**

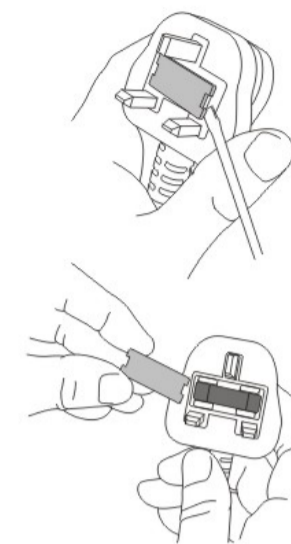
**THIS PRODUCT WAS DESIGNED AND MANUFACTURED TO MEET STRICT QUALITY AND SAFETY STANDARDS. THERE ARE, HOWEVER, SOME OPERATIONAL PRECAUTIONS YOU SHOULD BE AWARE OF.**

1. Read all warnings & instructions in this manual to ensure you get the best out of your product.
2. Keep hair dryer away from heat sources or direct sunlight.
3. Do not use if the hair dryer or cord are damaged.
4. If the supplied cord is damaged, it must be replaced by the manufacturer, its service agent or a similarly qualified person in order to avoid a hazard.
5. **WARNING:** Keep the appliance dry.
6. **WARNING:** when the appliance is used in a bathroom, unplug it after use since the proximity of water presents a hazard even when the appliance is switched off;
7. When the hair dryer is used in a bathroom, unplug it after use since the proximity of water presents a hazard even when the hair dryer is switched off.
8. If the hair dryer falls into water, unplug it immediately. Do not reach into the water.
9. This hair dryer is designed with a special protective coating around the heating coils. You may initially notice some smoking when turning the dryer off. This doesn't represent a danger or a fault and the smoke should dissipate.
10. Do not use with an extension cord.
11. Do not use attachments not recommended by the manufacturer.

**How to...**

...change the fuse

1. Only use a 10 amp fuse.
2. To change the fuse, place a screwdriver into the recess of the plug cover and pull the fuse holder upward until it's free.
3. Slide the fuse out and pop in the replacement.
4. Slot the fuse holder back into the recess and push down until it locks into place.



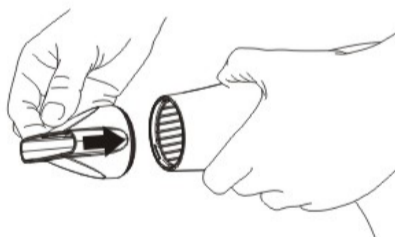
**Technical specification**

Voltage: 220-240V.  
Frequency: 50-60Hz.  
Power: 1800-2200W.

**How to...**

...connect & use your concentrator nozzle

1. To fit the concentrator nozzle, simply slot it onto the end of your ionic hair dryer. It will click securely into place.
2. The concentrator nozzle directs the airflow to specific parts of your hair. This will give you more control over your style and let you create the look you desire.
3. Usually, the concentrator nozzle is used to create a smooth and sleek, straight style by directing the heat from the roots to the tips.
4. The concentrator nozzle can be rotated to give you maximum control as you dry and style.



**How to...**

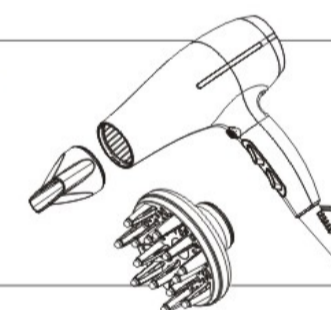
...maintain your ionic hair dryer

1. Always keep the dryer and air vents clean and dust free. Use a soft brush to clear any dust and fluff from the inlet grill on the back of the dryer.
2. Try not to twist or pull the power cord, or store the dryer with the cord wrapped around it.
3. Store in a cool, dry place, out of reach of children.

12. Hair dryer and attachments may get hot during use. Allow to cool before handling.
13. Avoid outdoor use or operation with aerosol products.
14. When using, keep hair away from air inlets.
15. Keep air vents clear and openings free from lint or hair.
16. The hair dryer should never be left unattended when plugged in.
17. Do not wrap the cord around the hair dryer handle when storing as this can damage the power cord.
18. For additional protection, the installation of a residual current device (RCD) having a rated residual operating current not exceeding 30 mA is advisable in the electrical circuit supplying the bathroom. Ask your installer for advice.
19. Please don't dismantle. If a fault occurs have the dryer inspected in a qualified repair shop or return to us at Asda.
20. Children should not play with the hair dryer. Keep this appliance and its cord out of reach of children.
21. This appliance can be used by children aged from 8 years and above and persons with reduced physical, sensory or mental capabilities or lack of experience and knowledge if they have been given supervision or instruction concerning use of the appliance in a safe way and understand the hazards involved. Children shall not play with the appliance. Cleaning and user maintenance shall not be made by children without supervision.
22. ASDA does not recommend allowing children to operate this appliance.
23. Environmental information: If at anytime in the future you should need to dispose of this product please note that in the UK, waste electrical products/batteries should not be disposed of with household waste.

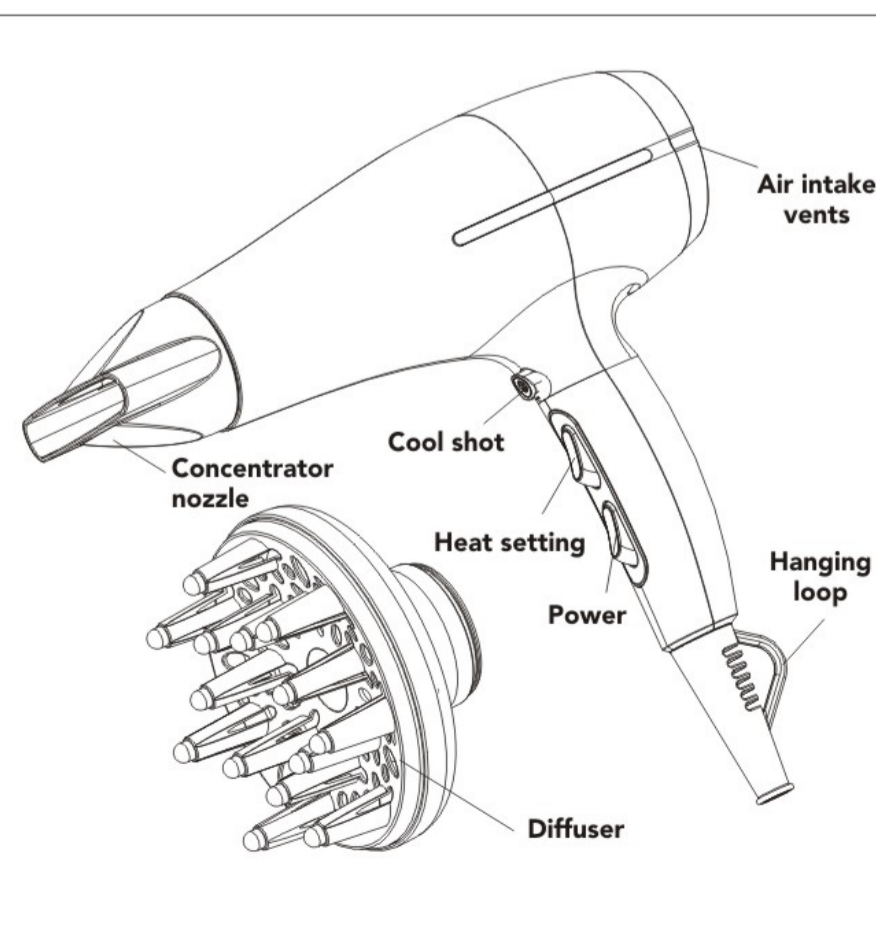
**You should have**

Ionic hair dryer, concentrator nozzle



**How to...**

...recognise the parts of your ionic hair dryer



**How to...**

...use your ionic hair dryer

1. Make sure the power switch is in the 0 position, slot the plug into the power socket and switch on.
2. Use the and settings to choose your desired airflow strength.
3. Use the cool , warm or hot settings, depending on how you wish to style your hair.
4. At any time, hold down the cool shot button to create a refreshing shot of cooler air. This is also a really useful way to finish and set your style.

