

SJBN001B4D

GH Matt Scandi Jug Blender

User Guide

220-240V ~ 50-60Hz 500W

IMPORTANT: RETAIN FOR FUTURE REFERENCE

About this guide

We've written this manual to help you get the most from your jug blender. Please keep hold of it for future reference.

WARNINGS:

THIS PRODUCT WAS DESIGNED AND MANUFACTURED TO MEET STRICT QUALITY AND SAFETY STANDARDS. THERE ARE, HOWEVER, SOME OPERATION PRECAUTIONS YOU SHOULD BE AWARE OF.

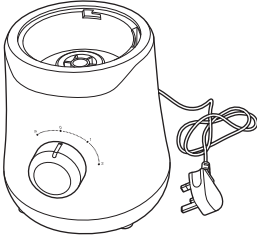
- 1. IMPORTANT SAFETY INSTRUCTIONS**
- 2. PLEASE READ ALL INSTRUCTIONS CAREFULLY BEFORE USE**
- 3. RETAIN FOR FUTURE REFERENCE**
4. When using electrical appliances, basic safety precautions should always be observed, including the following:
5. Read all instructions.
6. Unplug from the mains outlet when not in use, before putting on and taking off parts, before cleaning.
7. Do not operate any appliance with a damaged cord or plug, or after the appliance malfunctions or is dropped or damaged in any manner.
8. If the supply cord is damaged, it must be replaced by the manufacturer, its service agent or similarly qualified persons in order to avoid hazard.
9. **WARNING:** do not operate the blender for extended periods of time. The maximum operating time should not exceed 1 minute at a time with a rest of 2 minutes before using again.
10. Never operate the blender when the food jug is empty and do not remove the food jug lid before the blades come to a complete stop.
11. Do not touch the cutting blades or insert any object, such as knives, forks, spoons, etc into the food jug while the blender is in operation.
12. This appliance shall not be used by children. Keep the appliance and its cord out of reach of children.
13. Appliances can be used by persons with reduced physical, sensory or mental capabilities or lack of experience and knowledge if they have been given supervision or instruction concerning use of the appliance in a safe way and if they understand the hazards involved.
14. Children shall not play with the appliance.
15. Avoid contact with moving parts.
16. To protect against electrical shock do not immerse cord, plug, or

appliance in water or other liquid.

17. The use of accessory attachments not recommended by the appliance manufacturer may cause fire, electric shock or injury. Only use the accessories supplied by the manufacturer.
18. Do not let the cord hang over the edge of the work top, or touch hot surfaces.
19. **WARNING:** Do not use the blender without liquid or food in the food jug.
20. **IMPORTANT:** Always add liquid when blending dry food. We do not recommend dry blending (without any liquid) in your blender. The blender is not to be used for grinding or chopping dry food.
21. Never put any objects into the openings on the outer case. This will damage the appliance.
22. Never remove parts from the appliance such as screws.
23. Do not overfill the food jug, the maximum capacity of the jug is 1.5 litres of food and liquid.
24. Do not operate this appliance for anything other than its intended use.
25. This product is intended for household use only. Do not use outdoors. This product is only intended for preparing food.
26. **WARNING:** It is hazardous for anyone other than a competent person to carry out any service or repair operation which involves the removal of a cover which gives protection against exposure to electrical parts.
27. ASDA does not recommend allowing children to operate this appliance.
28. Misuse may lead to injury. Care should be taken when handling the sharp cutting blades, emptying the container and during cleaning.
29. Always disconnect the appliance from the supply before assembling, disassembling or cleaning.
30. **CAUTION:** Ensure that the blender is switched off before removing it from the stand.
31. Switch off the appliance and disconnect from supply before changing accessories or approaching parts that move in use.
32. Regarding the instructions for cleaning surfaces in contact with food, please refer to chapter "CLEANING".
33. Ensure the blender lid is securely fastened before use.
34. Do not blend any liquid over 60°C.

What's in the box

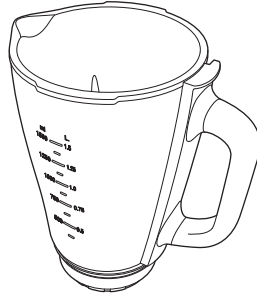
Motor unit



Measuring
Stopper



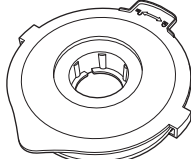
Food jug



User
Guide

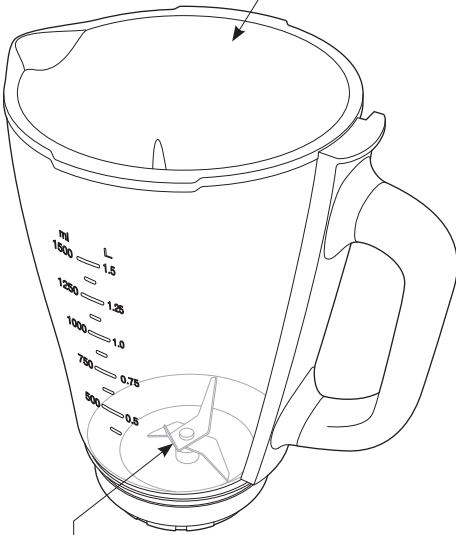


Lid



Features

Food jug

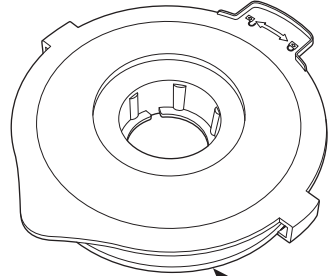


Cutting blades

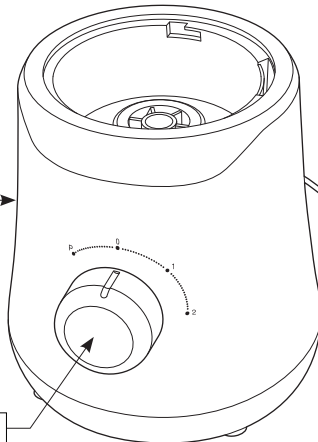
Measuring
Stopper



Lid



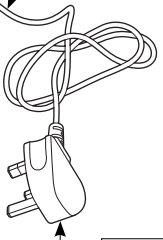
Motor unit



Power
cord

Power dial

Plug



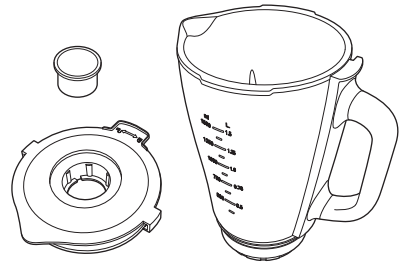
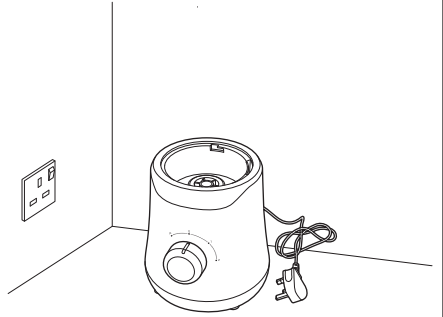
Preparing the blender

1. Place the motor unit on a flat, stable and level surface near a power socket so that the power cord is not over stretched and you have easy access to the socket.
2. Wash the jug, lid and measuring stopper in warm soapy water, then rinse and thoroughly dry with a soft cloth.

CAUTION: The blender blades are sharp, take care when cleaning.

3. Wipe the motor unit with a damp cloth and dry with a soft lint free cloth.

IMPORTANT: Never immerse the motor unit in water or any other liquid.

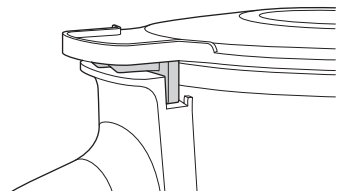
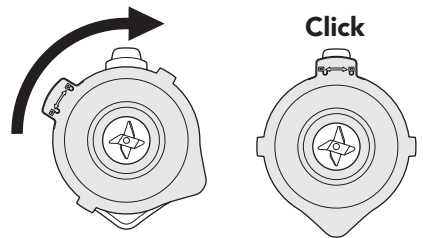
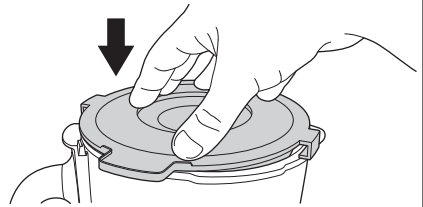


Fitting & removing the lid

1. Slot the lid onto the top of the jug as shown in the diagram.
2. Twist the lid clockwise until it locks in place with a 'click'.
3. Ensure that the safety lock on the back of the lid is inserted into the top of the jugs handle.

IMPORTANT: The jug blender will not operate if the lid is not correctly fitted.

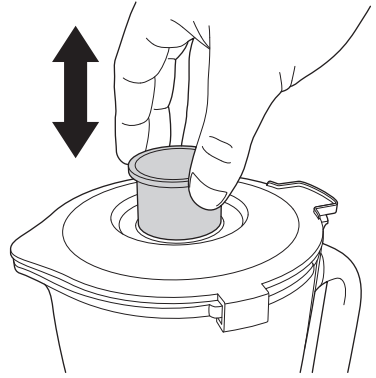
To remove the lid: Rotate anti-clockwise and lift off using the tab at the back.





Fitting the measuring stopper

Slot the stopper into the hole in the middle of the lid.

NOTE: The stopper can be removed when blending so you can add liquid or small ingredients to the blender. The stopper can also be used to measure liquids, see the marks on the side.

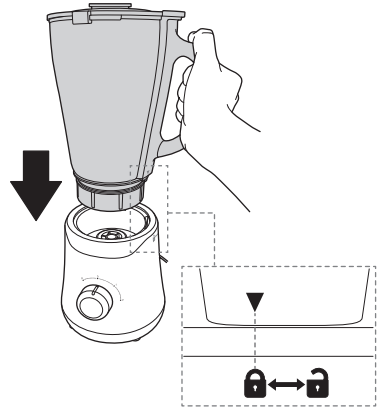


Fitting the jug

Slot the blender jug into the top of the motor unit, align the arrow on the blender jug with the  symbol on the motor unit. Turn the blender jug clockwise until the arrow is aligned with the  symbol.

The handle of the jug **MUST** be on the right side of the motor base at 90 degrees to the control dial.

NOTE: The jug must be correctly fitted to the motor unit for the jug blender to work.



Using your jug blender

Rotate the power dial to choose the speed that you wish to blend your food at.

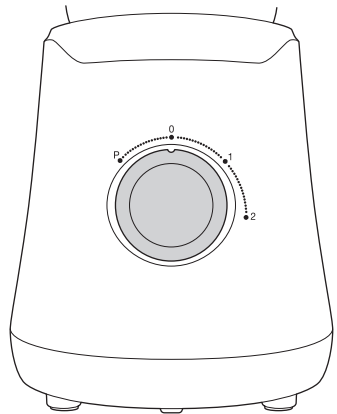
P - PULSE: This will switch to **0** (OFF) when released.

0 - OFF: Blades stop spinning.


1 - LOW SPEED: Coarsely blended.

2 - HIGH SPEED: Finely blended.

IMPORTANT: Only run the motor for a maximum of 60 seconds in one go, then allow 2 minutes for the motor to cool.



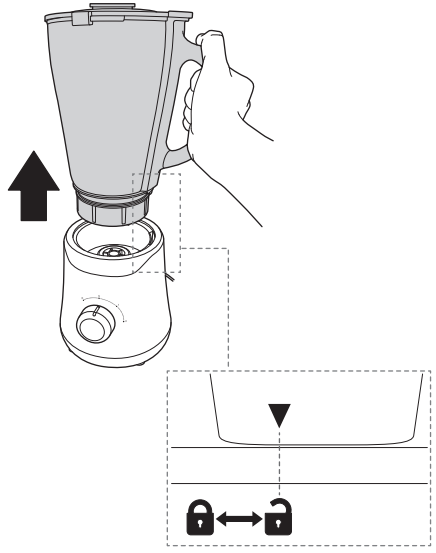
Removing the food jug & lid

After blending, remove the plug from the wall socket then turn the jug anti-clockwise until the arrow on the jug aligns with the  symbol on the motor unit. Lift the jug off the top of the motor unit.

Remove the lid by rotating it anti-clockwise then lift the tab at the back upwards.

The jug can now be emptied using a long handled spatula. **NEVER** place your hand or finger inside the blender as the blades are **sharp**.

The jug, lid & stopper can now be washed in warm soapy water.



Removing the blade section

For ease of cleaning the blades can be removed from the blender food jug.

WARNING: Take care when handling the blades as they are sharp.

How to remove the blades

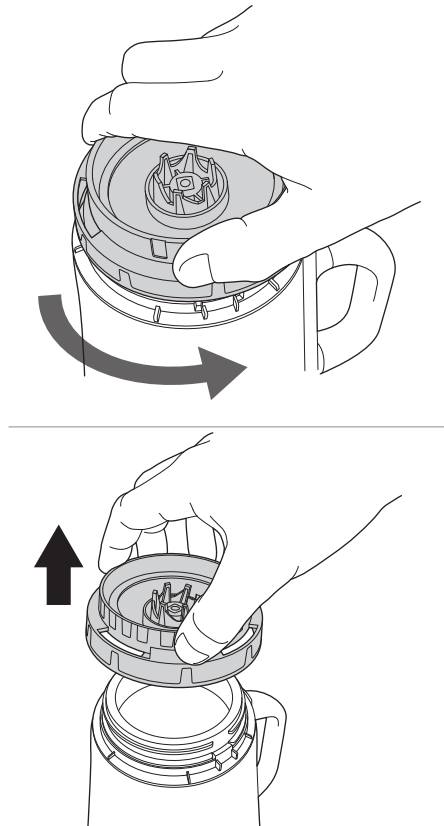
1. Turn the food jug upside down.
2. Grip the centre section of the blade housing as shown in the top diagram.
3. Turn the blades housing anti-clockwise then lift off the jug as shown in the bottom diagram.

The blades can now be washed using hot soapy water.

How to refit the blades

1. Slot the blade housing back into the recess in the bottom of the food jug, with the blades facing downwards.
2. Turn the blade housing clockwise to lock into place.

Important: Ensure the blade housing is fully locked in place or the food jug may leak.



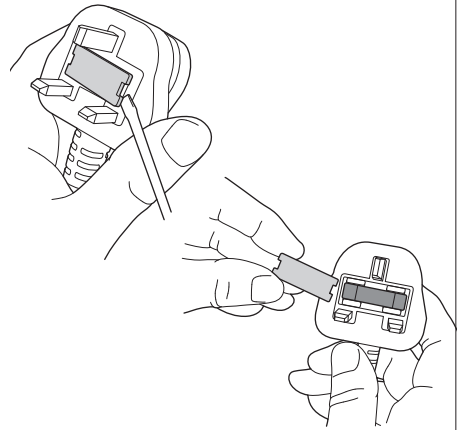
Changing the fuse

Only use a 3 amp fuse.

To change the fuse, place a screwdriver into the recess of the plug cover and pull the fuse holder upward until it's free.

Slide the fuse out and pop in the replacement.

Slot the fuse holder back into the recess and push down until it locks into place.



CLEANING

1. Always switch the blender off at the mains socket and unplug before dismantling and cleaning.
2. Never wash any parts of the blender in a dishwasher.
3. Wipe the motor unit with a damp cloth, never immerse in water. Never allow the motor unit, power cord or plug to get wet.
4. For easy cleaning you can partially fill the food jug with warm soapy water and replace the lid and stopper. Now switch on the pulse mode to clean the blades and the bottom of the food jug. Turn the pulse mode on several times for a few seconds then remove the food jug and rinse out with warm running water.
5. Leave the food jug upside down on a draining board to dry.

STORING

IMPORTANT: Never store the blender when it is still hot after being used. Always allow it to cool completely then place it back in its box and store out of the reach of children.

TIPS

- **NEVER PLACE YOUR HANDS OR FINGERS INSIDE THE FOOD JUG.**
- To ensure your blender has a long life, do not run it for longer than 60 seconds. Stop the blender and allow to cool for 2 minutes between blending cycles.
- Switch the blender off as soon as you get to the right consistency.
- **NEVER** process spices in the blender, they will damage the food jug.
- **IMPORTANT** the blender will not work if the jug or lid have not been correctly fitted.
- **IMPORTANT** you must always fit the lid before you can use the blender.
- Always switch the blender off at the socket before removing or scraping inside the food jug.
- When blending thick mixtures, e.g. pâté and dips, you may need to scrape down the inside of the food jug. If the mixture is difficult to blend add a bit more liquid.
- **NEVER** switch the blender on if the food jug is empty. The bearing on the cutter may be damaged.
- For the best circulation of the food that you are going to blend with liquids, pour the liquids into the jug first then add the solid items.
- **There are some tasks that the blender cannot do:**
these are: beating egg whites, whipping cream, mashing potatoes, grinding meats, mixing doughs and extracting juice from fruit or vegetables.
- **There are some items that should never be placed in the blender:**
these are: dried spices, herbs (when ground alone), bones, large pieces of solidly frozen food.

TROUBLESHOOTING

PROBLEM	REASON	SOLUTION
You have plugged the blender in, switched the power on, selected a cutting speed, but the blender does not work.	The blender lid is not fully locked onto the jug. The jug is not correctly fitted on the motor unit. The plug fuse may need replacing.	Check the lid is correctly fitted. Check the jug is correctly placed on the motor unit. Change the fuse in the plug.
The cutting blades are not working normally.	There is too much food inside the food jug.	Reduce the quantity of food inside the food jug.
The blender stops suddenly whilst in use.	The safety locks on the blender are not correctly engaged.	Check the food jug is correctly fitted onto the motor unit. Check the lid is correctly fitted.
The blender overflows whilst in use.	There is too much food inside the food jug. The blender is not on a stable and level surface.	Reduce the quantity of food inside the food jug. Place the blender on a stable and level surface.



If for any reason you're not completely satisfied with our product, return it within 100 days with your proof of purchase, and we'll give you an exchange or a refund.

UK Mainland stores only.

Excludes franchises.

The guarantee excludes flat pack furniture, which can't be returned if it has been partly or fully assembled unless faulty or mis-described.

Also excludes mattresses, which can't be returned for hygiene reasons once used, unless faulty or mis-described.



For PDF copy of this manual please scan QR code and search for model number



Customer services information

If you require further information, spare parts or advice regarding your product, or if you are experiencing any problems, please contact customer services at the telephone number or address shown opposite. N.B. When calling or writing please quote the product name.

Call
0800 952 0101

Write
Asda Stores Ltd. Asda House, Southbank, Great Wilson Street, Leeds, LS11 5AD

Product name: **SJBN001B4D**
GH Matt Scandi Jug Blender

Product site code: **15A.06.24.127**



To qualify for the 2 year warranty the appliance must have been used according to the manufacturer's instructions. For example kettles should have been regularly de-scaled.

If your appliance stops working or develops a fault then return it to your nearest store and we will happily replace or refund the item, with exception of the below exclusions:

EXCLUSIONS

ASDA shall not be liable to replace goods under the terms of the warranty where:

1. The fault has been caused or is attributable to accidental use, misuse, negligent use or use contrary to the user manual's recommendations or where the fault has been caused by power surges or damage caused in transit.
2. The appliance has been used on a voltage supply other than that described on the product rating label.
3. Repairs have been attempted by persons other than our service staff (or authorised dealer).
4. Where the appliance has been used for hire purposes or non-domestic use.
5. ASDA are not liable to carry out any type of servicing work, under the warranty.

This warranty does not confer any rights other than those expressly set out above and does not cover any claims for consequential loss or damage. This warranty is offered as an additional benefit and does not affect your statutory rights as a consumer.

If for any reason this item is replaced during the 2 year warranty period, the warranty on the new item will be calculated from original purchase date. It is vital to retain your original proof of purchase to indicate the date of initial purchase.

Copyright

© 2024 ASDA Stores Limited.

All other trademarks appearing herein are the property of their representative owners. Specifications are subject to change without notice.

Manufactured for:
ASDA, Leeds LS11 5AD /
ASDA, Antrim BT41 4GY.

Disposal

This symbol on the product or in the instructions means that your electrical and electronic equipment should be disposed at the end of its life separately from your household waste. There are separate collection systems for recycling in the UK.

For more information, please contact the local authority or your retailer where you purchased the product.

