

For PDF copy of this manual please scan QR code and search for model number



Customer services information

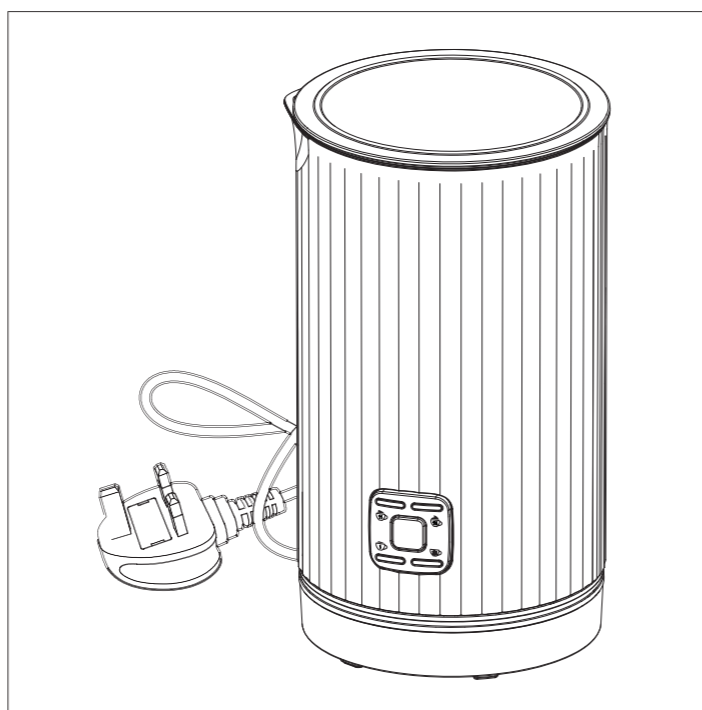
If you require further information, spare parts or advice regarding your product, or if you are experiencing any problems, please contact customer services at the telephone number or address shown opposite. N.B. When calling or writing please quote the product name.

Call
0800 952 0101

Write
ASDA, Leeds LS11 5AD.

Product name: GHMFT101B4L
Product site code: 15A.06.24.073

George.
home



GHMFT101B4L

Textures Milk Frother User Guide

220-240V ~ 50-60Hz 457-544W

IMPORTANT: RETAIN FOR FUTURE REFERENCE

About this guide

We've written this manual to help you get the most from your milk frother. Please keep hold of it for future reference.

WARNINGS:

THIS PRODUCT WAS DESIGNED AND MANUFACTURED TO MEET STRICT QUALITY AND SAFETY STANDARDS. THERE ARE, HOWEVER, SOME OPERATIONAL PRECAUTIONS THAT YOU SHOULD BE AWARE OF.

READ ALL INSTRUCTIONS BEFORE USING.

- Before connecting the appliance to the power supply, check that the voltage indicated on the appliance corresponds with the voltage in your home. If this is not the case, contact your dealer and do not use the frother.
- The attached base can not be used for other than intended use.
- Do not operate the appliance without anything in it to avoid damaging the heat elements.
- Unplug from the outlet when not in use and before cleaning. Allow to cool before putting on or taking off parts, and before cleaning the appliance.
- Do not let the cord hang over the edge of a table or counter or touch a hot surface.
- Do not place on or near a hot gas or electric burner or in a heated oven.
- Ensure that the appliance is used on a firm and flat surface out of reach of children, this will prevent the appliance from overturning and prevent damage or injury.
- Keep hands and utensils out of container while using to reduce



To qualify for the 2 year warranty the appliance must have been used according to the manufacturer's instructions. For example kettles should have been regularly de-scaled.

If your appliance stops working or develops a fault then return it to your nearest store and we will happily replace or refund the item, with exception of the below exclusions:

EXCLUSIONS

ASDA shall not be liable to replace goods under the terms of the warranty where:

- The fault has been caused or is attributable to accidental use, misuse, negligent use or use contrary to the user manual's recommendations or where the fault has been caused by power surges or damage caused in transit.
- The appliance has been used on a voltage supply other than that described on the product rating label.
- Repairs have been attempted by persons other than our service staff (or authorized dealer).
- Where the appliance has been used for hire purposes or non-domestic use.
- ASDA are not liable to carry out any type of servicing work, under the warranty.

This warranty does not confer any rights other than those expressly set out above and does not cover any claims for consequential loss or damage. This warranty is offered as an additional benefit and does not affect your statutory rights as a consumer.

If for any reason this item is replaced during the 2 year warranty period, the warranty on the new item will be calculated from original purchase date. It is vital to retain your original proof of purchase to indicate the date of initial purchase.

Copyright

© 2024 ASDA Stores Limited. All other trademarks appearing herein are the property of their representative owners. Specifications are subject to change without notice. Manufactured for: ASDA, Leeds LS11 5AD/ASDA, Antrim BT41 4DY

Disposal

This symbol on the product or in the instructions means that your electrical and electronic equipment should be disposed of at the end of its life separately from your household waste. There are separate collection systems for recycling in the UK. For more information, please contact the local authority or your retailer where you purchased the product.



Notes

the risk of severe injury to persons or damage to the milk frother.

9. Do not immerse cord, electric plugs, jar or base in water or other liquids.

10. Close supervision is necessary when any appliance is used by or near children.

11. Do not touch the hot surface. Use the buttons only.

12. Extreme caution must be used when moving an appliance containing hot milk.

13. Avoid contacting moving parts.

14. The use of attachments not recommended or sold by manufacturer may cause fire, electric shock or injury.

15. The appliance must only be used for frothing and heating milk. Do not use the appliance for anything other than intended use.

16. Do not operate any appliance with a damaged cord or plug or after the appliance malfunctions, or is dropped or damaged in any manner. Return appliance to the nearest authorized service facility for examination, repair or electrical or mechanical adjustment.

17. This is a Class 1 appliance fitted with an earthed plug, and requires a safety connection to electrical earth.

18. This appliance can be used by children aged from 8 years and above if they have been given supervision or instruction concerning use of the appliance in a safe way and if they understand the hazards involved.

Cleaning and user maintenance shall not be made by children unless they are older than 8 and supervised. Keep the appliance and its cord out of reach of children aged less than 8 years.

Appliances can be used by persons with reduced physical, sensory or mental capabilities or lack of experience and knowledge if they have been given supervision or instruction concerning use of the appliance in a safe way and understand the hazards involved.

Children shall not play with the appliance.

19. Always operate the appliance with cover in place.

20. This appliance is only for household use.

21. Children should be supervised to ensure that they do not play with the appliance.

22. If the supply cord is damaged, it must be replaced by the manufacturer, its service agent or similarly qualified persons in order to avoid a hazard.

23. WARNING: Avoid spillage on the connector.

24. For information how to clean the surfaces having contact with food, please refer to the 'cleaning' chapter.

25. WARNING: Potential injury from misuse.

26. The heating element surface is subject to residual heat after use.

27. Save these instructions for future reference.

28. Switch off the appliance and disconnect from supply before changing accessories or approaching parts that move in use.

29. Always disconnect the appliance from the supply if it is left unattended and before assembling, disassembling or cleaning.

30. Only use the appliance with the base provided.

31. This milk frother has overheat & dry boil protection. When this is active all the LED indicators will flash. Please wait till the frother has cooled down before resuming use.

Frothing cold milk

- Select frothing paddle, open the lid and slot the frothing paddle onto the shaft at the bottom of jug.
- Fill the jug with the desired amount of milk, and replace the lid.
Note: To avoid milk overflowing after frothing, the maximum quantity of milk is 150ml. Minimum quantity of milk is 75ml.
Note: Please use whole milk.
- Slot the plug into a mains socket and turn the power on if required. The four LEDs will flash for three times to tell this appliance is ready to use.
- Press the on/off button (⏻), the LED will blink one by one from the left to the right. Press the on/off button as many times as necessary to select the mode 4. Allow the required Mode 4 LED flashes for 3 seconds, the selected function will start to froth the milk, the LED will turn to solid light.
- Once milk has been frothed, the LED will turn to blink for 20 seconds to tell milk is ready, then the milk frother will switch off automatically.
Note: During operation, you can stop the milk frother by pressing the on/off button (⏻) again.
- When the appliance has stopped, open the lid and pour out the frothed milk. It is suggested to allow a minimum of 3 minutes rest before using again to avoid the motor overheat.
- Always turn off the milk frother and disconnect from the power supply when not in use. IMPORTANT: Always clean the jug according to the 'Cleaning' section between cycles.

Heating milk

- Select mixing paddle, open the lid and slot the mixing paddle onto the shaft at the bottom of jug.
Note: NEVER use the frothing paddle as it will cause milk to overflow from the jug.
- Fill the jug with the desired amount of milk, and replace the lid.
Note: To avoid milk overflowing after heating, the maximum quantity of milk is 300ml. Minimum quantity of milk is 75ml.
Note: For best results, please use whole milk, chilled (5-10 C).
- Slot the plug into a mains socket and turn the power on if required. The four LEDs will flash for three times to tell this appliance is ready to use.
- Press the on/off button (⏻) to select Mode 1, the LED will blink for 3 seconds and the milk frother will start to warm the milk, the LED will turn to solid light.
- Once milk has been warmed, the LED will turn to blink for 20 seconds to tell milk is ready, then the milk frother will switch off automatically.
Note: During operation, you can stop the milk frother by pressing the on/off button (⏻) again.
- When the appliance has stopped, open the lid and pour out the warmed milk. It is suggested to allow a minimum of 3 minutes rest before using again to avoid the motor overheat. When the appliance be overheat, all blue indicator lights keep flashing. It is suggested to allow a minimum of 3 minutes rest for another round using. Or pls add cold milk or water into the appliance for fast cooling down.
- Always turn off the milk frother and disconnect from the power supply when not in use. IMPORTANT: Always clean the jug according to the 'Cleaning' section between cycles.

Controls

The milk frother has four different modes.

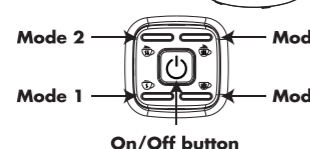
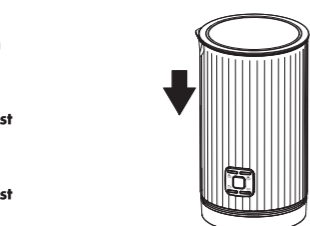
MODE 1: Press the On/Off button to select this mode if you want to heat the milk with little foam or stirring only.

MODE 2: Press the On/Off button to select this mode if you want to heat the milk whilst frothing with medium amount of foam.

MODE 3: Press the On/Off button to select this mode if you want to heat the milk whilst frothing with lots of foam.

MODE 4: Press the On/Off button to select this mode if you want to froth the milk without heating it.

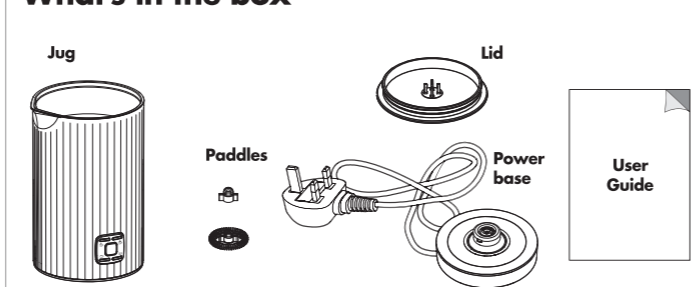
NOTE: To select the function modes, the jug must be placed on the plugged in power base, and the lid must be fitted.



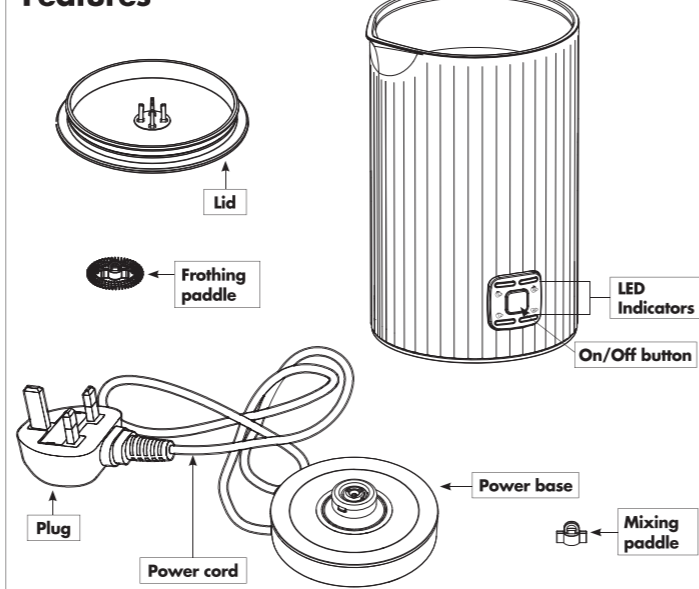
Frothing hot milk

- Select frothing paddle, open the lid and slot the frothing paddle onto the shaft at the bottom of jug.
- Fill the jug with the desired amount of milk, and replace the lid.
Note: To avoid milk overflowing after frothing, the maximum quantity of milk is 150ml. Minimum quantity of milk is 75ml.
Note: For best results, please use whole milk, chilled (5-10 C).
- Slot the plug into a mains socket and turn the power on if required. The four LEDs will flash three times to show this appliance is ready to use.
- Press the on/off button (⏻), the LED will blink one by one from the top to the bottom, each LED means different operating mode. Press the on/off button as many times as necessary to select the required mode 1 or 2 or 3. The required mode LED flashes for 3 seconds, the selected function will start to heat the milk and froth it, the LED will turn to solid light.
- Once milk has been heated and frothed, the LED will turn to blink for 20 seconds to show milk is ready, then the milk frother will switch off automatically.
Note: During operation, you can stop the milk frother by pressing the on/off button (⏻) again.
- When the appliance has stopped, open the lid and pour out the warmed and frothed milk.
- Always turn off the milk frother and disconnect from the power supply when not in use. IMPORTANT: Always clean the jug according to the 'Cleaning' section between cycles.

What's in the box



Features



Cleaning

IMPORTANT: Before using your milk frother for the first time you must clean all of the parts.

CAUTION: Never immerse the jug or power base in water, or allow moisture to contact with these parts. No parts of your milk frother are dishwasher safe.

- Wash the lid, mixing and frothing paddles in hot water and a mild detergent then rinse thoroughly and dry with a soft cloth.
- Wash the inner part of the jug with a combination of a mild detergent and warm water, empty and then wipe dry with a soft cloth.
- Wipe the outside of jug and power base with a soft damp cloth and dry.

IMPORTANT: Do not use chemicals or abrasive cleaners to clean the outside of the milk frother.

Fitting the paddles

Your milk frother comes with two types of paddles.

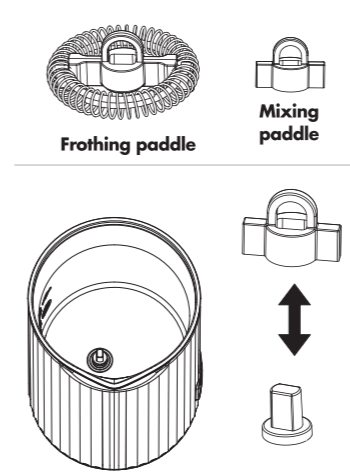
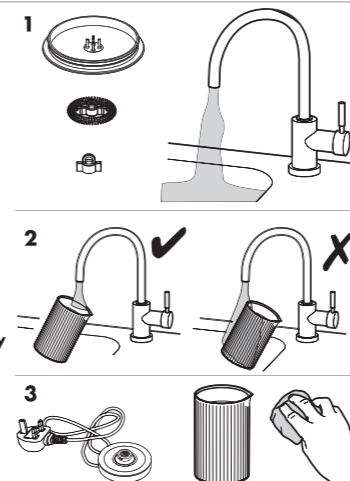
FROTHING PADDLE: This is used to froth either hot or cold milk.

MIXING PADDLE: This is used to stir the milk when it is being heated but not frothed.

Slot the paddle onto the shaft at the bottom of the milk frother.

To remove, simply lift upwards off the post. Allow the milk frother to cool before removing the paddle.

The spare mixing paddle not in use may be stored in the clip on the underside of the lid.



Filling with milk

There are 3 filling marks on the inside of your milk frother.

MAX (O): This is the maximum mark for heating milk only (without frothing). The mixing paddle must be used.

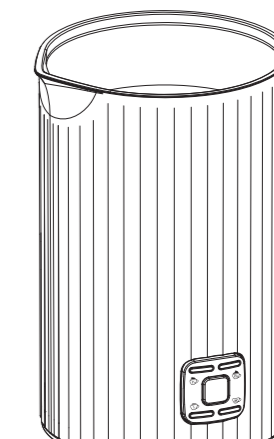
MAX (⊙): This is the maximum mark for milk when using the frothing paddle to froth your milk.

MIN: Always ensure the milk in the milk frother is at least up to the minimum mark on the inside of the jug.

IMPORTANT: Never place anything other than milk in your milk frother.

Dairy free milk alternatives can be used in the milk frother using the cold setting; results may vary depending on the type of milk alternative use.

To use the hot setting, choose a milk recommended for hot drinks and follow recommendation of the milk manufacturer.



Preparing your milk frother

Place the power base on a stable level surface close to a power socket. Place your milk frother onto the post in the middle of the power base.

If you remove the jug from the power base it will automatically switch off.

IMPORTANT: Ensure the lid is fitted before using the milk frother.

